

## DC/DC Transformer

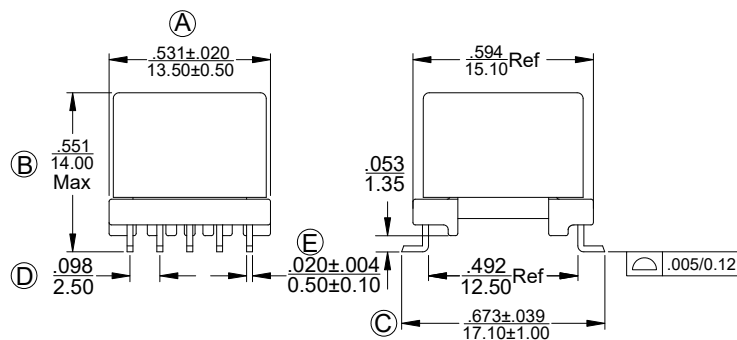
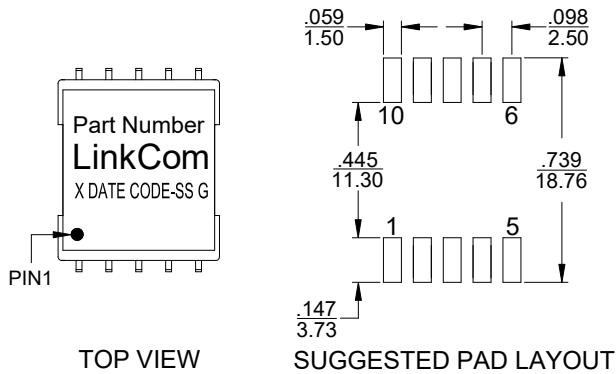
- Flyback Transformer for PoE applications
- RoHS Compliant
- Operating Temperature -40°C to +125°C
- Storage Temperature -40°C to +85°C

### Electrical Specifications @25°C

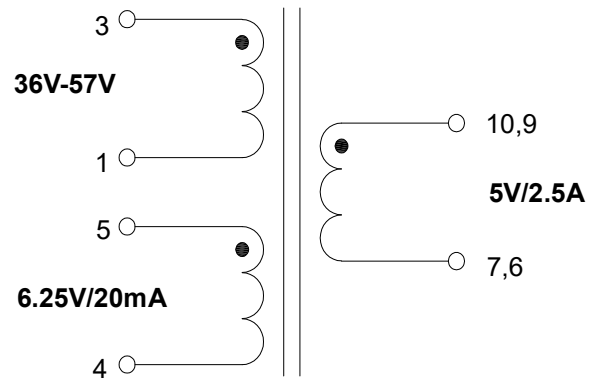
Inductance:	PIN 3-1 = 43.7uH ±10% @ 100KHz/0.1V
Leakage Inductance:	PIN 3-1 = 1.00uH Max. @ 100KHz/0.1V(Pin 10,9,7,6 shorted and Pin 5,4 shorted)
D.C.R	PIN 3-1 = 70 mohm Max.
	PIN 5-4 = 110 mohm Max.
	PIN 10,9-7,6 = 8.60 mohm Max.(Pin 10,9 shorted and Pin 7,6 shorted)
Turn Ratio:	PIN 3-1 : PIN 5-4 = 4.00±3%:1
	PIN 3-1 : PIN 10,9-7,6 = 5.00±3%:1(Pin 10,9 shorted and Pin 7,6 shorted)
Hi-POT :	PRI. – SEC. = 1500VAC/2Sec/1mA

## Dimensions

(Units:  $\frac{\text{Inches}}{\text{mm}}$  , Unless otherwise specified, all tolerances are  $\pm \frac{.010}{0.25}$  )



## Schematic



Secondary windings to be connected in parallel on PC board.

## Mark

- 1.Part Number----LDT6000
2. X----PRODUCT LINE or BLANK
3. DATE CODE----YYWW
4. SS----51
5. G----RoHS

## Package info

LDT6000-51R - Tape reel