

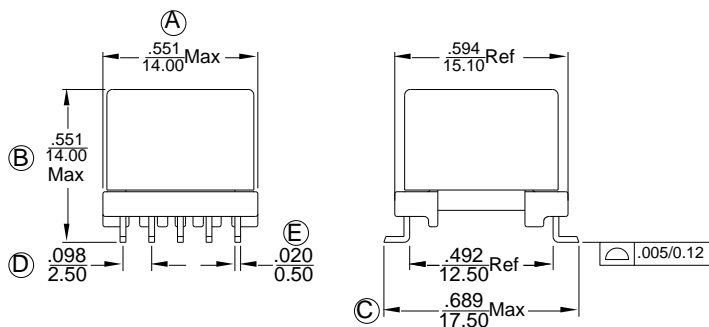
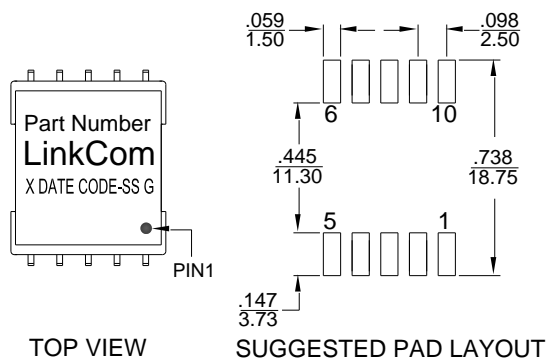
## DC/DC Transformer

- Flyback transformer for PoE applications
- RoHS Compliant
- Operating Temperature -40°C to +105°C

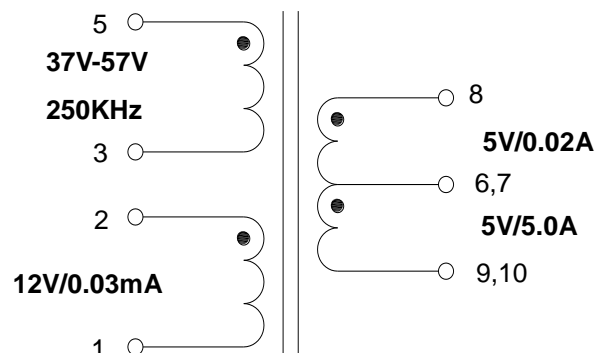
Electrical Specifications @25°C	
Inductance:	PIN 5-3= 37 uH ±10% @ 10K/0.1V
Leakage Inductance:	PIN 5-3= 1.5 uH Max. @ 100K/0.1V (PIN 6,7,8,9,10 Shorted)
D.C.R	PIN 5-3 = 89 mohm Max.
	PIN 2-1 = 260 mohm Max.
	PIN 6,7- 9,10 = 6.5 mohm Max. (PIN 6,7 ; 9,10 Shorted)
	PIN 8-7 = 185 mohm Max.
Turn Ratio:	PIN 5-3 : PIN 6,7-9,10 = 5.00±2%:1 (PIN 6,7 ; 9,10 Shorted)
	PIN 5-3 : PIN 2-1 = 2.00±2%:1
	PIN 5-3 : PIN 8-7 = 5.00±2%:1
Hi-POT :	PRI. - SEC. =1500Vrms/60Hz/1Sec/1mA

## Dimensions

(Units:  $\frac{\text{Inches}}{\text{mm}}$  , Unless otherwise specified, all tolerances are  $\pm \frac{.010}{0.25}$  )



## Schematic



## Mark

- 1.Part Number----LDT2518
2. X----PRODUCT LINE or BLANK
3. DATE CODE----YYWW
4. SS----50 or BLANK
5. G----RoHS

## Package info

LDT2518-50R—Tape Reel