

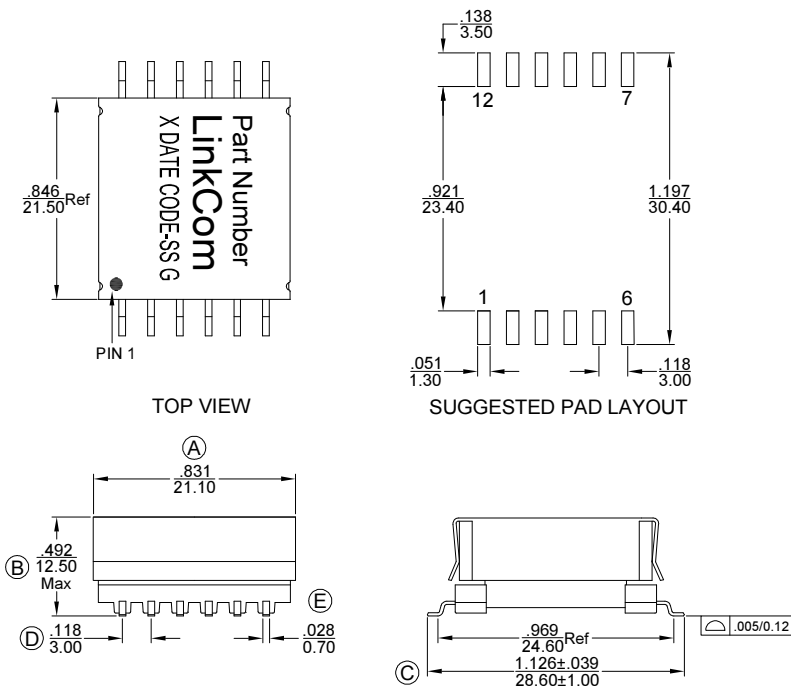
## DC/DC Transformer

- Forward transformer for PoE applications
- RoHS Compliant
- Operating Temperature -40°C to +125°C
- Storage Temperature -40°C to +85°C

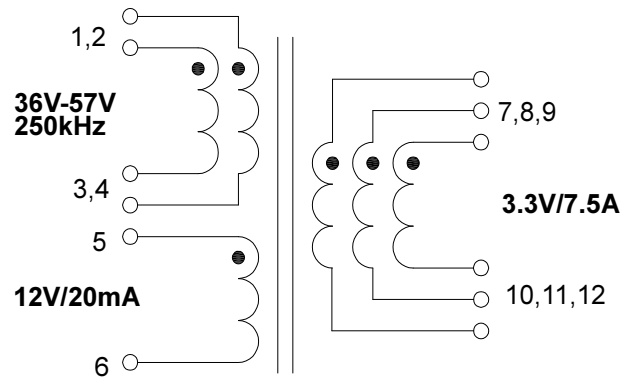
Electrical Specifications @25°C	
Inductance:	PIN 1,2-3,4 = 172uH ±30% @ 100KHz/0.1V (PIN 1,2 shorted and 3,4 shorted)
Leakage Inductance:	PIN 1,2-3,4 = 0.6uH Max. @ 100KHz/0.1V (PIN1,2 shorted & 3,4 shorted ; 5,6 shorted ; 7,8,9,10,11,12 Shorted)
D.C.R.:	PIN 1,2-3,4 = 35 mohm Max. (PIN 1,2 shorted and 3,4 shorted)
	PIN 5-6 = 100 mohm Max.
	PIN 7,8,9-10,11,12 = 6 mohm Max. ( PIN 7,8,9 shorted & 10,11,12 Shorted)
Turn Ratio:	PIN 1,2-3,4 : PIN 5-6 = 1.71±3%:1 (PIN1,2 shorted & 3,4 shorted )
	PIN 1,2-3,4 : PIN 7,8,9-10,11,12 = 6.0±3%:1 (PIN1,2 shorted & 3,4 shorted ; 7,8,9 shorted & 10,11,12 Shorted)
Hi-POT :	PRI. – SEC. = 1500Vrms/60Hz/60Sec/1mA or 1875Vac/60Hz/2sec/1mA

## Dimensions

((Units:  $\frac{\text{Inches}}{\text{mm}}$  , Unless otherwise specified, all tolerances are  $\pm\frac{.010}{0.25}$  )



## Schematic



Primary windings and secondary windings to be connected in parallel on PC board.

## Mark

1. Part Number----LDT2509
2. X----PRODUCT LINE or BLANK
3. DATE CODE----YYWW
4. SS----56 or BLANK
5. G----RoHS

## Package info

LDT2509-56R - Tape reel