

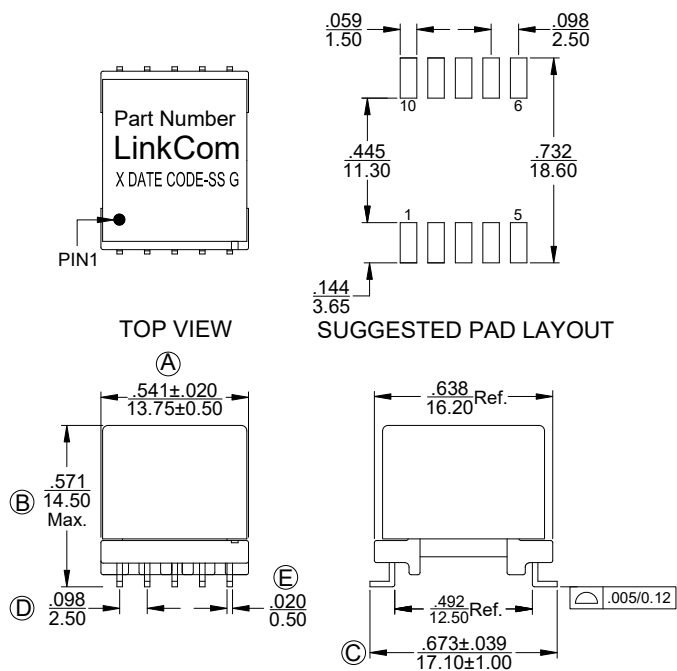
DC/DC Transformer

- Flyback Transformer for PoE applications
- RoHS Compliant
- Operating Temperature -40°C to +125°C
- Storage Temperature -40°C to +85°C

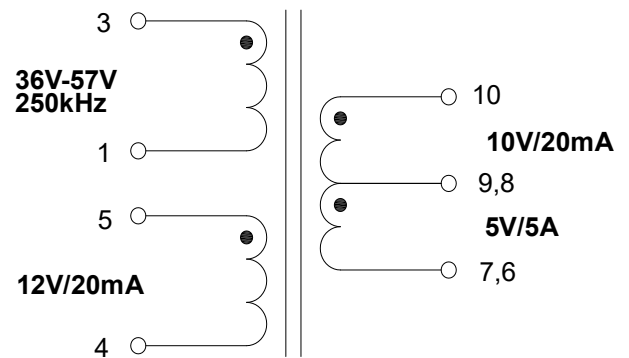
Electrical Specifications @25°C	
Inductance:	PIN 3-1= 100uH ±10% @ 100KHz/0.1V
Leakage Inductance:	PIN 3-1 = 1.50uH Max. @ 100KHz/0.1V (PIN 10,9,8,7,6 shorted)
D.C.R	PIN 3-1 = 190 mohm Max.
	PIN 5-4 = 400 mohm Max.
	PIN 10-9 = 360 mohm Max.
	PIN 9,8-7,6 = 8.30 mohm Max. (PIN 9,8 shorted and 7,6 shorted)
Turn Ratio:	PIN 3-1 : PIN 5-4 = 2.17±3%:1
	PIN 3-1 : PIN 10-9 = 2.60±3%:1
	PIN 3-1 : PIN 9,8-7,6 = 5.20±3%:1 (PIN 9,8 shorted and 7,6 shorted)
Hi-POT :	PRI. – SEC. = 1500VAC/2Sec/1mA

Dimensions

(Units: $\frac{\text{Inches}}{\text{mm}}$, Unless otherwise specified, all tolerances are $\pm \frac{.010}{0.25}$)



Schematic



Secondary winding to be connected in parallel on PC board.

Mark

1. Part Number----LDT1068
2. X----PRODUCT LINE or BLANK
3. DATE CODE----YYWW
4. SS----51
5. G----RoHS

Package info

LDT1068-51R - Tape reel