

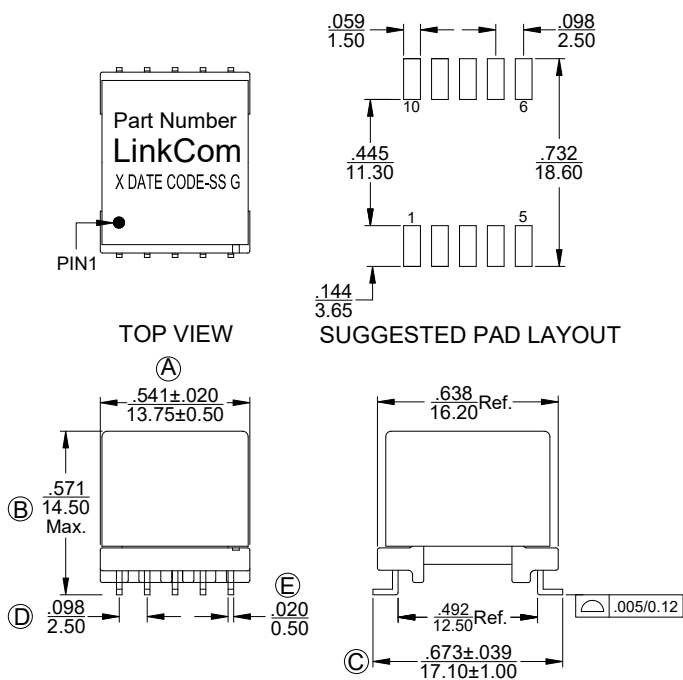
DC/DC Transformer

- Flyback Transformer for PoE applications
- RoHS Compliant
- Operating Temperature -40°C to +125°C
- Storage Temperature -40°C to +85°C

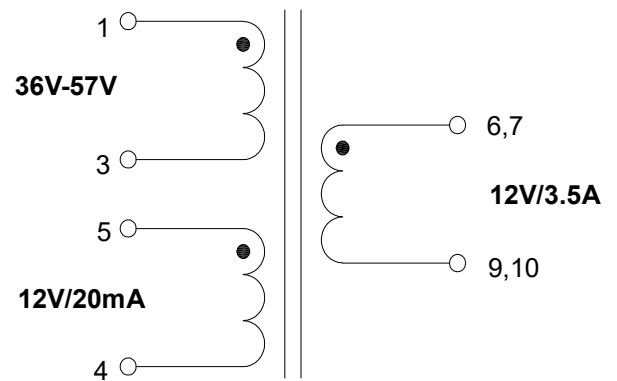
Electrical Specifications @25°C	
Inductance:	PIN 1-3= 60uH ±10% @ 100KHz/0.1V
Leakage Inductance:	PIN 1-3 = 1.00uH Max. @ 100KHz/0.1V (PIN 10,9,8,7,6 shorted and 4,5 shorted)
D.C.R	PIN 1-3 = 100 mohm Max.
	PIN 5-4 = 90 mohm Max.
	PIN 6,7-9,10 = 15.3 mohm Max. (PIN 6,7 shorted and 9,10 shorted)
Turn Ratio:	PIN 1-3 : PIN 5-4 = 2.75±3%:1
	PIN 1-3 : PIN 6,7-9,10 = 2.75±3%:1 (PIN 6,7 shorted and 9,10 shorted)
Hi-POT :	PRI. – SEC. = 1500VAC/2Sec/1mA

Dimensions

(Units: $\frac{\text{Inches}}{\text{mm}}$, Unless otherwise specified, all tolerances are $\pm \frac{.010}{0.25}$)



Schematic



Secondary winding to be connected in parallel on PC board.

Mark

1. Part Number----LDT1067
2. X----PRODUCT LINE or BLANK
3. DATE CODE----YYWW
4. SS----50 or BLANK
5. G----RoHS

Package info

LDT1067-50R - Tape reel