

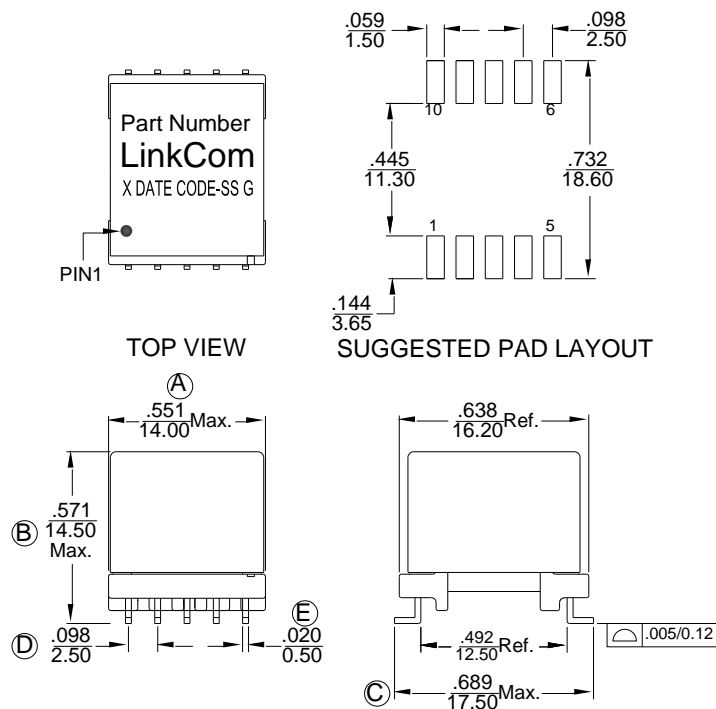
DC/DC Transformer

- Flyback transformer for PoE applications
- RoHS Compliant
- Operating Temperature -40°C to +85°C
- Storage Temperature -40°C to +85°C

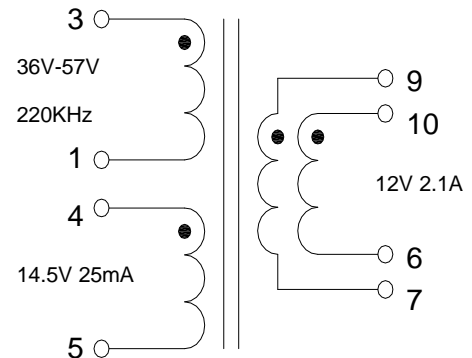
Electrical Specifications @25°C	
Inductance	PIN 3-1 = 80uH ±7% @ 100KHz/0.1V
Leakage Inductance	PIN 3-1 = 1uH Max. @ 100KHz/0.1V (PIN 4,5,6,7,9,10 shorted)
Saturation Current	3A @ 20% roll off from initial inductance
D.C.R	PIN 3-1 = 140 mohm Max.
	PIN 4-5 = 195 mohm Max.
	PIN 9,10-6,7 = 22 mohm Max. (PIN 9,10 shorted and Pin 6,7 shorted)
Turn Ratio	PIN 3-1 : PIN 4-5 = 2.375±3%:1
	PIN 3-1 : PIN 9,10-6,7 = 3.166±3%:1 (PIN 9,10 shorted and Pin 7,6 shorted)
Hi-POT	PRI. – SEC. = 1500VAC/60Hz/2S/1mA

Dimensions

(Units: $\frac{\text{Inches}}{\text{mm}}$, Unless otherwise specified, all tolerances are $\pm \frac{.010}{0.25}$)



Schematic



Mark

1. Part Number----LDT1026
2. X----PRODUCT LINE or BLANK
3. DATE CODE----YYWW
4. SS----50 or BLANK
5. G----RoHS

Package info

LDT1026-50R - Tape reel