

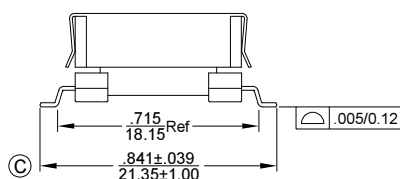
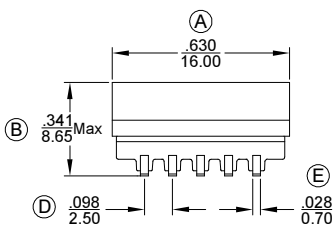
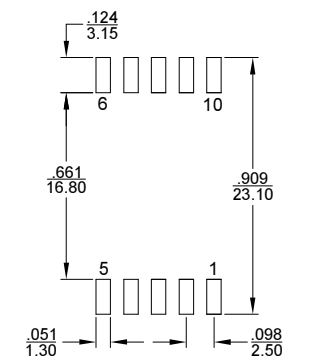
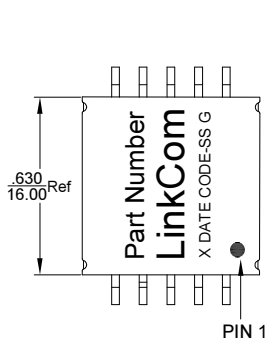
**DC/DC Transformer**

- Forward transformer for PoE applications
- RoHS Compliant
- Operating Temperature -40°C to +105°C
- Storage Temperature -40°C to +85°C
- Tc : 125°C Max.

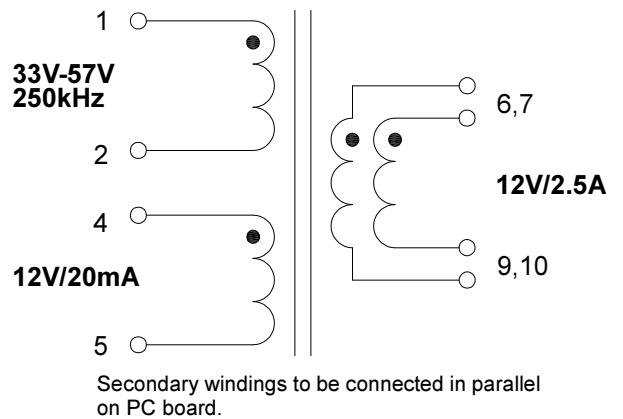
Electrical Specifications @25°C	
Inductance:	PIN 1-2 = 100.5uH ±15% @ 100KHz/0.1V
Leakage Inductance:	PIN 1-2 = 0.450uH Max. @ 100KHz/0.1V (PIN 6,7,9,10 shorted)
D.C.R	PIN 1-2 = 85 mohm Max.
	PIN 4-5 = 280 mohm Max.
	PIN 6,7-9,10 = 35 mohm Max. (PIN 6,7 shorted and Pin 9,10 shorted)
Turn Ratio:	PIN 1-2 : PIN 4-5 = 1.46±3%:1
	PIN 1-2 : PIN 6,7-9,10 = 1.46±3%:1 (PIN 6,7 shorted and Pin 9,10 shorted)
Hi-POT :	PRI. – SEC. = 1500VAC/2Sec/1mA

**Dimensions**

((Units:  $\frac{\text{Inches}}{\text{mm}}$  , Unless otherwise specified, all tolerances are  $\pm\frac{.010}{0.25}$  )



**Schematic**



**Mark**

- 1.Part Number---LDT0897
- 2.X---PRODUCT LINE or BLANK
- 3.DATE CODE---YYWW
- 4.SS---50 or BLANK
- 5.G---RoHS

**Package info**

LDT0897-50R - Tape reel