

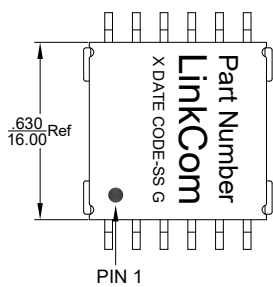
DC/DC Transformer

- Forward transformer for PoE applications
- RoHS Compliant
- Operating Temperature -40°C to +105°C
- Storage Temperature -40°C to +85°C

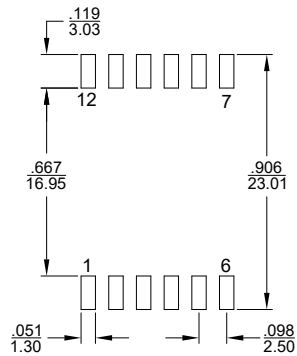
Electrical Specifications @25°C	
Inductance:	PIN 1,2-3,4 = 95uH ±10% @ 100kHz/0.1V (PIN1,2-3,4 Short)
Leakage Inductance:	PIN 1,2-3,4 = 1.5uH Max. @ 100KHz/0.1V (PIN1,2-3,4; 7,8,9-10,11,12 Short)
D.C.R	PIN 1-3 = 145 mohm Max. (PIN1,2-3,4 Short)
	PIN 5-6 = 370 mohm Max.
	PIN 12,11,10-9,8,7 = 30 mohm Max. (PIN 12-11-10,9-8-7 Short)
Turn Ratio:	PIN 1,2-3,4 : PIN 5-6 = 1.88±3%:1 (PIN1,2-3,4 Short)
	PIN 1-3 : PIN 12,11,10-9,8,7 = 4.00±3%:1 (PIN1,2-3,4; 7,8,9-10,11,12 Short)
Hi-POT :	PRI. – SEC. = 1500V/60Hz/2Sec/1mA

Dimensions

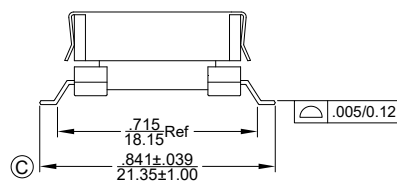
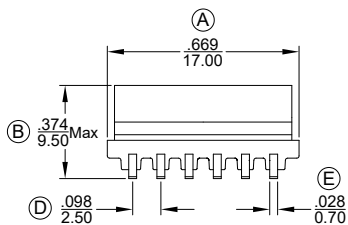
(Units: $\frac{\text{Inches}}{\text{mm}}$, Unless otherwise specified, all tolerances are $\pm \frac{.010}{0.25}$)



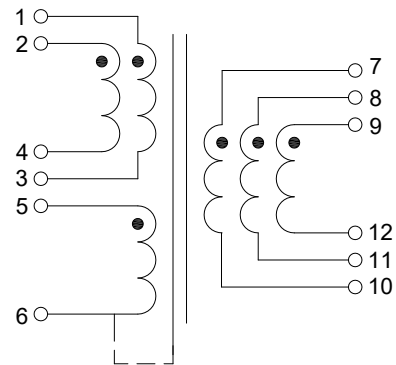
TOP VIEW



SUGGESTED PAD LAYOUT



Schematic



Mark

- 1.Part Number----LDT0873
- 2.X----PRODUCT LINE or BLANK
- 3.DATE CODE----YYWW
- 4.SS----56 or BLANK
- 5.G----RoHS

Package info

LDT0873-56R - Tape reel