

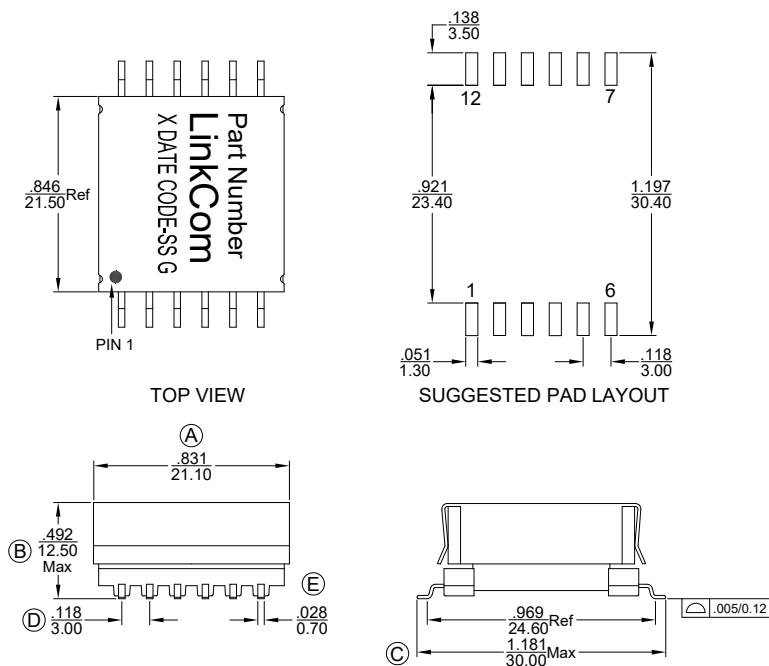
DC/DC Transformer

- Forward transformer for PoE applications
- RoHS Compliant
- Operating Temperature -40°C to +125°C
- Storage Temperature -40°C to +85°C

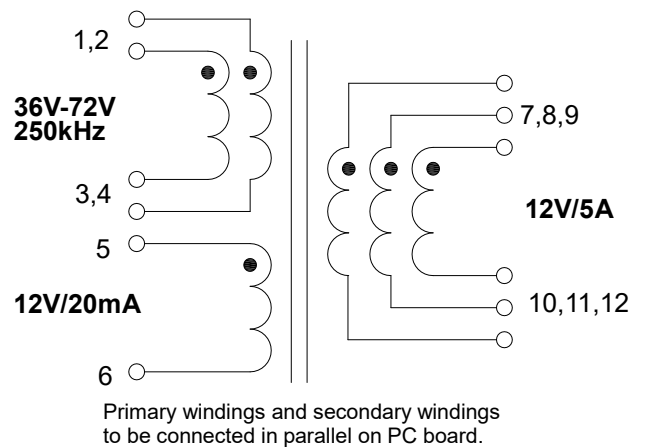
Electrical Specifications @25°C	
Inductance:	PIN 1,2-3,4 = 100.0uH ±12% @ 100kHz/0.1V (PIN1-2,3-4 Short)
Leakage Inductance:	PIN 1,2-3,4 = 0.5uH Max. @ 100KHz/0.1V (PIN 1-2,3-4,7-8-9-10-11-12 Short)
D.C.R	PIN 1,2-3,4 = 60 mohm Max. (PIN 1-2,3-4 Short)
	PIN 5-6 = 130 mohm Max.
	PIN 7,8,9-10,11,12 = 15 mohm Max. (PIN 7-8-9,10-11-12 Short)
Turn Ratio:	PIN 1,2-3,4 : PIN 5-6 = 2.00±3%:1 (PIN 1-2,3-4 Short)
	PIN 1,2-3,4 : PIN 7,8,9-10,11,12 = 2.00±3%:1 (PIN 1-2,3-4,7-8-9,10-11-12 Short)
Hi-POT :	PRI. – SEC. = 1875V/60Hz/2Sec/1mA

Dimensions

(Units: $\frac{\text{Inches}}{\text{mm}}$, Unless otherwise specified, all tolerances are $\pm \frac{.010}{0.25}$)



Schematic



Mark

- 1.Part Number----LDT0829
- 2.X----PRODUCT LINE or BLANK
- 3.DATE CODE----YYWW
- 4.SS----50 or BLANK
- 5.G----RoHS

Package info

LDT0829-50R - Tape reel