

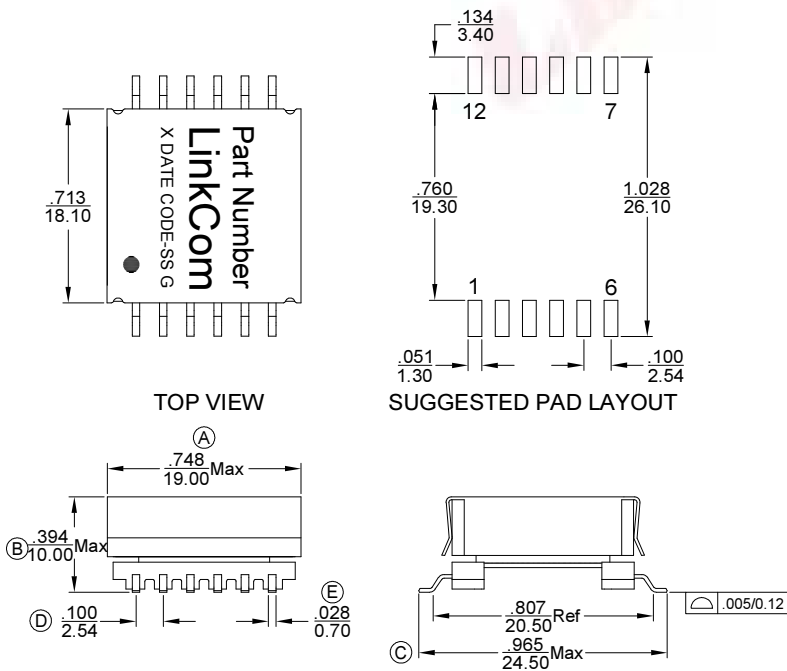
DC/DC Transformer

- Flyback transformer for PoE applications
- RoHS Compliant
- Operating Temperature -40°C to +85°C
- Storage Temperature -40°C to +85°C

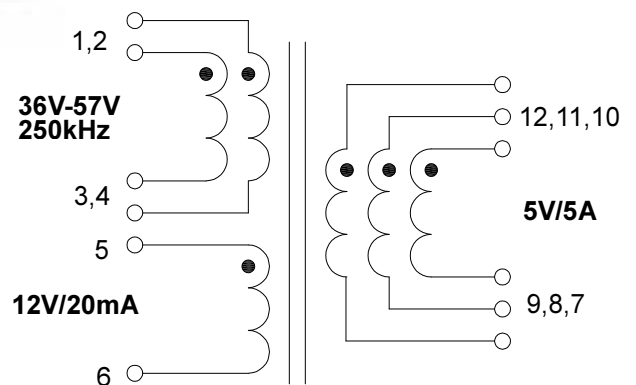
Electrical Specifications @25°C	
Inductance:	PIN 1,2-3,4 = 50.0uH ±10% @ 250KHz/0.5V (PIN1-2,3-4 Short)
Leakage Inductance:	PIN 1,2-3,4 = 0.62uH Max. @ 250KHz/0.5V (PIN1-2,3-4,5-6-7-8-9-10-11-12 Short)
Interwinding Capacitance	PIN 1-12= 100pF Max. @ 250KHz/0.5V (PIN1-2-3-4-5-6,12-11-10-9-8-7 Short)
D.C.R	PIN 1,2-3,4 = 110 mohm Max. (PIN1-2,3-4 Short)
	PIN 5-6 = 210 mohm Max.
	PIN 12,11,10-9,8,7 = 8 mohm Max.(PIN12-11-10,9-8-7 Short)
Turn Ratio:	PIN 1,2-3,4 : PIN 5-6 = 2.44±3%:1 (PIN1-2,3-4 Short)
	PIN 1,2-3,4 : PIN 12,11,10-9,8,7 = 5.5±3%:1(PIN1-2,3-4,12-11-10,9-8-7 Short)
Hi-POT :	PRI. – SEC. = 1500V/60Hz/2Sec/1mA

Dimensions

(Units: $\frac{\text{Inches}}{\text{mm}}$, Unless otherwise specified, all tolerances are $\pm \frac{.010}{0.25}$)



Schematic



Mark

1. Part Number----LDT0687
2. X----PRODUCT LINE or BLANK
3. DATE CODE----YYWW
4. SS----50 or BLANK
5. G----RoHS

Package info

LDT0687-50R - Tape Reel