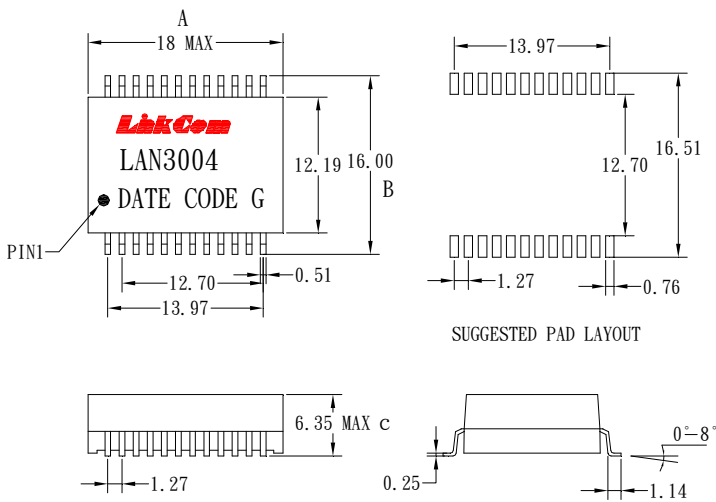


10/100/1000BASE-T Magnetics Module

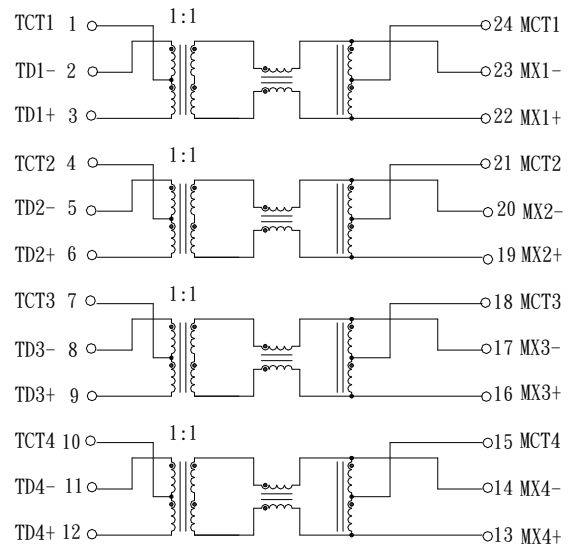
- Meets IEEE 802.3 standard for 1000BASE-T
- RoHS Compliant
- Single port configuration
- Operating Temperature: 0°C~70°C

Electrical Specification @25°C				
OCL:	350uH Min. @100KHz/0.1V with 8mA DC Bias			
Hi-POT :	1500Vrms.			
Turn Ratio:	1CT:1CT±3%			
Insertion Loss:	1-100MHz -1.0dB Max.			
Return Loss:	1-30MHz	40-50MHz	60-80MHz	100MHz
	-18dB Min.	-13.0dB Min.	-12dB Min.	-10dB Min.
D.C.M.R. :	30MHz	60MHz	100MHz	
	-40dB Min.	-35dB Min.	-30dB Min.	
Cross Talk :	30MHz	60MHz	100MHz	
	-45dB Min.	-40dB Min.	-35dB Min.	

Dimensions



Schematic



Units: mm

Unless otherwise specified, all tolerances are ±0.25