

xDSL TRANSFORMER

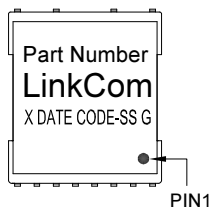
- Designed to meet UL 60950-1 and IEC 60950-1 requirements for supplementary insulation
- RoHS Compliant
- Operating Temperature -40°C to +85°C
- For Intel VRX518

Electrical Specifications @25°C

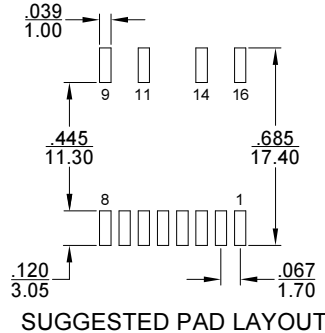
Inductance	PIN 16-9= 1.4 mH ±10% @ 10KHz/0.1V/Series (PIN 11,14 Shorted)
Leakage Inductance	PIN 16-9=1.1 uH Max. @ 1MHz/0.1V (PIN 11,14 shorted ; 5,6,7,8 Shorted)
	PIN 16-9=1.1 uH Max . @ 1MHz/0.1V (PIN 11,14 shorted ; 1,4 Shorted)
D.C.R.	PIN 16-9 = 1.8 ohm Max. (PIN 11,14 shorted)
	PIN 1-4 = 0.9 ohm Max.
	PIN 5-8 = 3.5 ohm Max. (PIN 6,7 Shorted)
Turn Ratio	PIN16-9 : PIN 1-4 = 2.0±2% :1 (PIN 11,14 shorted)
	PIN16-9 : PIN 5-8 = 1.0±2% :1 (PIN 11,14 shorted ; 6,7 Shorted)
T.H.D.	PIN16-9 :PIN1-4 = -84 dB Max . @ 25KHz/3.9V (PIN 11,14 shorted)
Hi-POT	PRI. – SEC. =1875VAC/60Hz/1Second/0.5mA

Dimensions

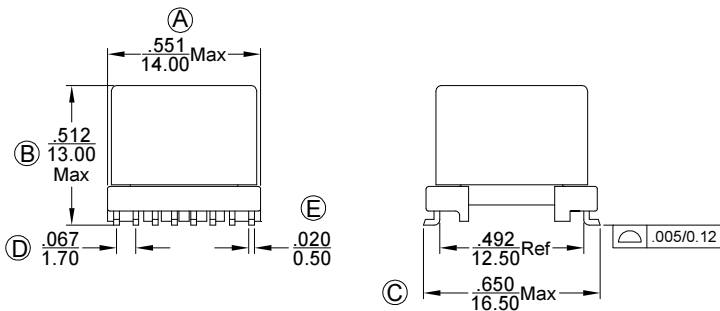
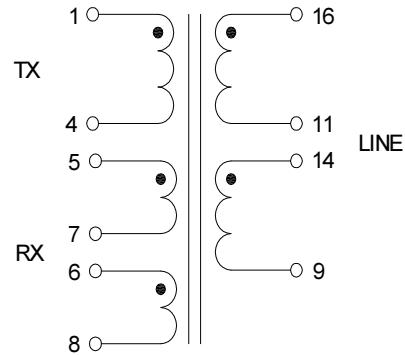
(Units: $\frac{\text{Inches}}{\text{mm}}$, Unless otherwise specified, all tolerances are $\pm \frac{.010}{0.25}$)



TOP VIEW



Schematic



Mark

- 1.Part Number----LAL0580
2. X----PRODUCT LINE or BLANK
3. DATE CODE----YYWW
4. SS----63
5. G----RoHS

Package info

LAL0580-63R - Tape Reel

There shall be no breakdown between winding 1,2,3,4,5,6,7,8 & 9,11,14,16 when tested according to ITU-T K.21:2017 enhanced level 6KV,per 2.1.1.b using the test procedures of K.44:2017