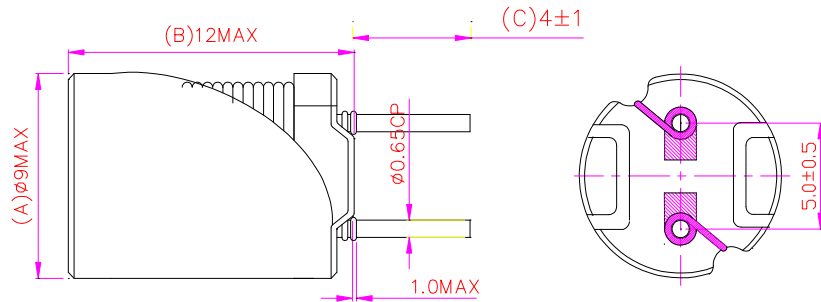




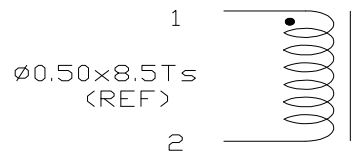
# KEMET SBC4-2R7-662 alternative



## 1.Shape and Dimensions (UNIT:mm)



## 2.ELECTRONICAL SCHEMATIC



## 3.ELECTRICAL REQUIREMENTS

3.1 INDUCTANCE: 2.7uH±20% @ 10KHz, 0.1V

Max Current:  $L \geq 6A \geq L0A * 90\%$ .

DCR=20mΩ Max

3.2 TEST INSTRUMENTS: & VR115 (LCR) & VR7210

## 4.MATERIAL LIST

NO.	PART NAME	DISCRIPTION
1	CORE	J8H DR2V7.8x9.5x3.75-5.4-5
2	WIRE TYPE	0.5mm*2UEWF

NAME	Power inductor		
KEMET P/N	SBC4-2R7-662	Date	2022-07-08
ALTERNATIVE P/N	DR7.8x9.5-2R7M	Rev. A1	Page 1/2
Drawn. by	Checked. by	Approve. by	



# KEMET SBC4-2R7-662 alternative

## TEST REPORT



KEMET P/N		SBC4-2R7-662		DATE	2022-07-08	
ALTERNATIVE P/N		DR7.8x9.5-2R7M		Q'TY	5 PCS	
FREQUENCY		10KHZ/0.1V				
TEMP				HUMIDITY		
ELECTRICAL CHARACTERISTIC			DIMENSION (unit:mm)			
ITEM	L0A(mH)	L6.6A (μH)	DCR(mΩ)	A	B	C
SPEC	2.7±20%	≥L0Ax0.9	20	9.0MAX	12.0MAX	4±1
1	2.72	2.58	15.8	8.15	9.96	3.62
2	2.63	2.59	14.7	8.20	9.94	3.64
3	2.75	2.60	15.9	8.16	9.93	3.65
4	2.81	2.62	15.8	8.17	9.88	3.68
5	2.69	2.51	14.8	8.20	9.86	3.90
6						
7						
8						
9						
10						
X						

CONFIRM	杨福全
CHECKED	段丽萍
DESIGN	虞平
TEST INSTRUMENTS	VR115 & VR7210

<b>BEC DISTRIBUTION LIMITED</b>		www.bec.co.uk	
NAME		<b>Power inductor</b>	
KEMET P/N	SBC4-2R7-662	Date	2022-07-08
ALTERNATIVE P/N	DR7.8x9.5-2R7M	Rev. A1	Page 2 / 2
Drawn. by	Checked. by	Approve. by	