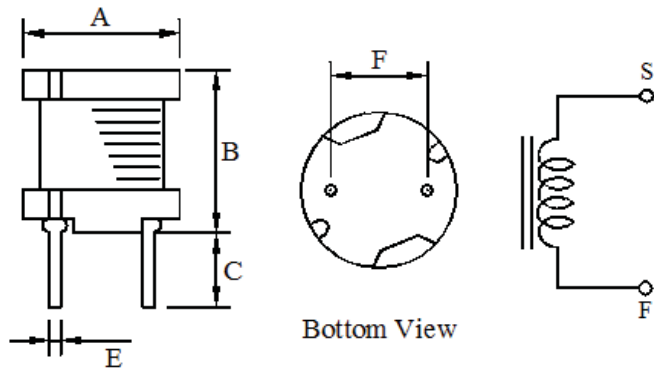


Physical Dimensions (Unit: mm)



Bottom View



Electrical Characteristics

Test Item	Test Frequency	Specification		Condition	Test Equip.
L	1kHz/5mA	330.0	μH	$\pm 10\%$	WK3260B
SRF		2.2	MHz	Typ.	E4991A+HP16092A
DCR		0.330	Ω	Max.	HP34401A
Isat	1kHz/5mA	1.60	A	$L \leq 10\%$ Typ.	WK3260B+WK3265B
Irms	1kHz/5mA	1.40	A	$\Delta T \leq 40^\circ\text{C}$ Max.	WK3260B+WK3265B

Notes

1. Operating Temperature: -40°C to $+125^\circ\text{C}$
2. Storage Temperature & Humidity: $\leq 40^\circ\text{C}$ & 70% RH maximum
3. Solderability Validity: Best before 6 months from shipping date
4. Weight: 4.76g/pc typ.



	Standard Value	Measured Value
A	10.5 Max.	10.04~10.15
B	14.5 Max.	14.07~14.24
C	3.5 ± 0.5	3.42~3.62
D	-	-
E	0.65 ± 0.1	0.64~0.65
F	5.0 ± 0.5	5.30~5.57

	Date: 07 Mar. 2022	Scale: None	Reference:
	Title: Radial Leaded Inductor, 330 μH		
	Filename:		
 www.ctparts.com		Part Number: 02-02-8321F	Revision: Original
		Sheet: 1 of 2	

Revision:	Revision Note:	ECN#:	Date
Original	-	-	07 Mar. 2022

Test Data

Test Item	L (μ H)	SRF (MHz)	DCR (Ω)	Isat (μ H)		Irms (A)
Test Frequency	1kHz/5mA			1kHz/5mA		1kHz/5mA
Test Equip.	WK3260B	E4991A +HP16092A	HP34401A	WK3260B +WK3265B		WK3260B +WK3265B
Specification	330 \pm 10%	2.20 Typ.	0.330 Max.	+0A	+1.60A L \leq 10% Typ.	+1.40A \leq 40°C Max.
1	328.10	2.13	0.303	328.10	298.15	OK
2	335.70	2.17	0.300	335.70	297.95	
3	329.20	2.13	0.301	329.20	294.15	
4	330.85	2.17	0.300	330.85	296.55	
5	331.00	2.22	0.299	331.00	299.00	

	Date: 07 Mar. 2022	Scale: None	Reference:	
	Title: Radial Leaded Inductor, 330 μ H			
	 www.ctparts.com		Filename:	
Part Number: 02-02-8321F		Revision: Original		Sheet: 2 of 2