

WURTH 7448062603 alternative



Common Mode Chokes / Filters WE-CMBNC
Type XXL Nancrystl 10kHz 26A

SPECIFICATION FOR APPROVAL

CUSTOMER:	BEC
PART DESCRIPTION:	Transformer
CUSTOMER P/N:	7448062603
BEC Part No:	GW-60084
REVISION:	A
DATE:	2022.5.9

Remark: ALL MATERIALS MEET RoHS.

CUSTOMER APPROVAL	DATE

WURTH 7448062603 alternative



Common Mode Chokes / Filters WE-CMBNC
Type XXL Nanocrystl 10kHz 26A



REVISION LIST

Rev	Revision Date	Revision Description	Revised By
1	2022.5.9	Original SPEC	A

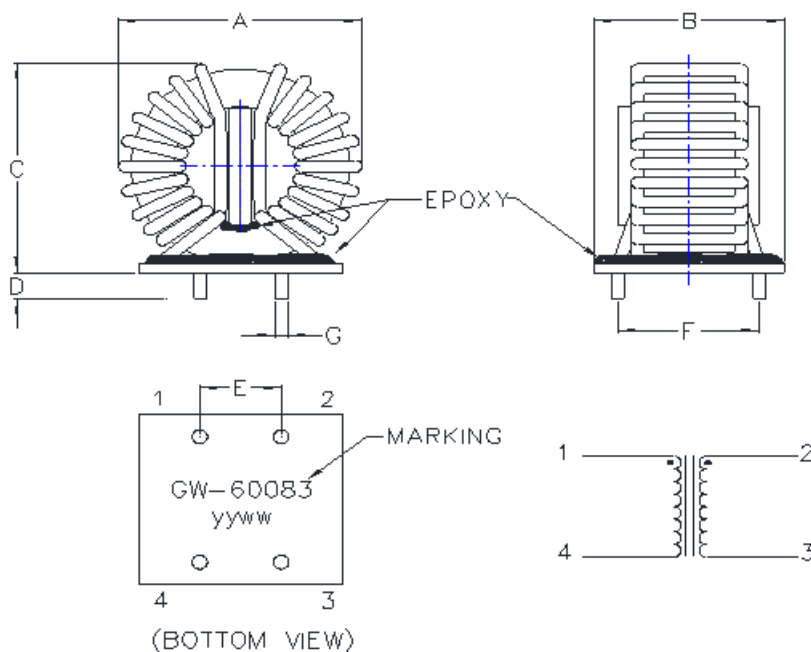
WURTH 7448062603 alternative



Common Mode Chokes / Filters WE-CMBNC
Type XXL Nancrystl 10kHz 26A



1. MECHANICAL DIMENSIONS (UNIT: MM) & SCHEMATIC:



Position	Specification
A	47.0MAX
B	27.0MAX
C	46.0MAX
D	5.0±0.5
E	10.0±0.5
F	21.0±0.5
G	2.2 REF

2. ELECTRICAL REQUIREMENTS & TEST CONDITIONAL:

No	TEST ITEM	TERMIANL	SPECIFICATION	TEST INSTRUMENTS
1	INDUCTANCE	1-4	3mH+50%/-30%	@ 10kHz 0.1V TH-229AX 25°C
		2-3	3mH+50%/-30%	
2	DC Resistance	1-4	4.5mΩ MAX	TH-229AX 25°C
		2-3	4.5mΩ MAX	
3	HI-POT	1 - 2	1500VAC/3mA/2Sec	CHROMA 19053