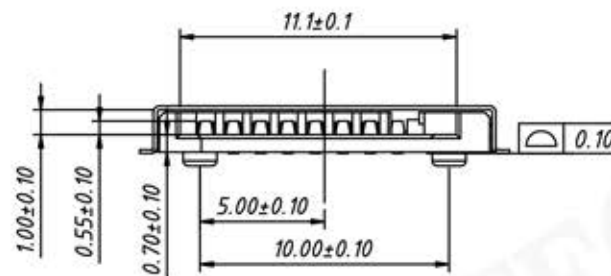
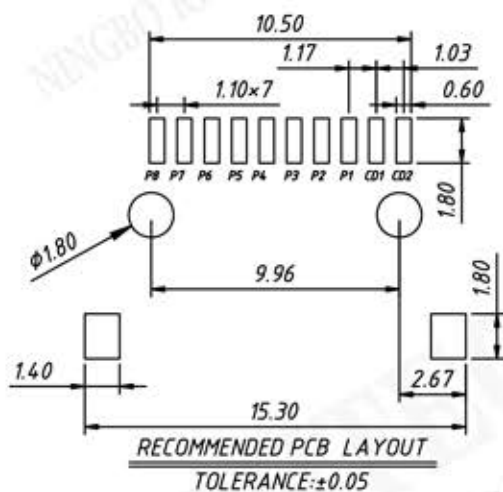
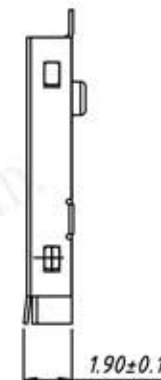
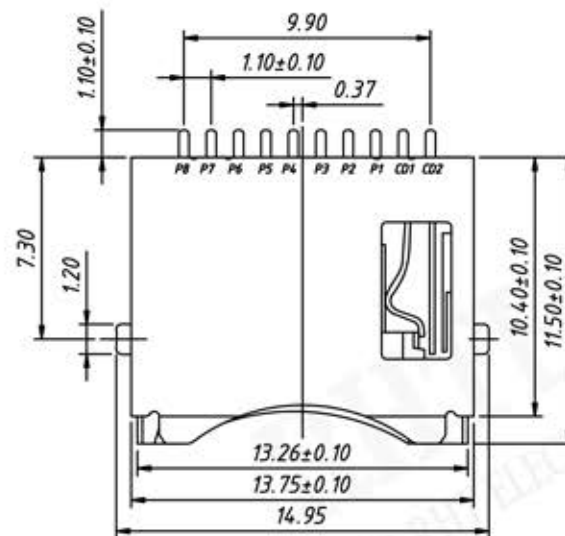
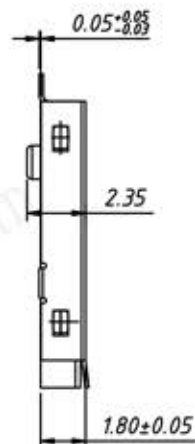
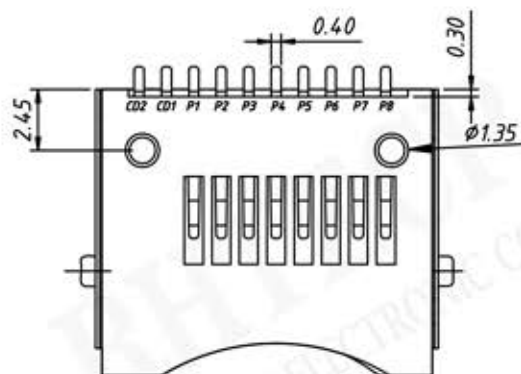


P/N: RE-C-TF-014-H1.8-R



Material:
 Housing: LCP, UL 94 V-0, Black.
 Terminal: Copper Alloy, Selective Gold On Mating Area.
 Shell: Iron
Electrical:
 Voltage Rating: 5V
 Current Rating: 0.5 A Max.
 Contact Resistance: 100mΩ Max.
 Insulation Resistance: 1000MΩ Min.
 Withstanding Voltage: 500V 1 Minute.
 Operating Temp: -25°C TO +60°C
 Peak temperature: 260°C
 Durability: 10000 Cycles.

| PIN NO. | PIN ASSIGNMENT |
|---------|----------------|
| 1# | DAT2 |
| 2# | CD/DAT3 |
| 3# | CMD |
| 4# | VDD |
| 5# | CLK |
| 6# | VSS |
| 7# | DAT0 |
| 8# | DAT1 |