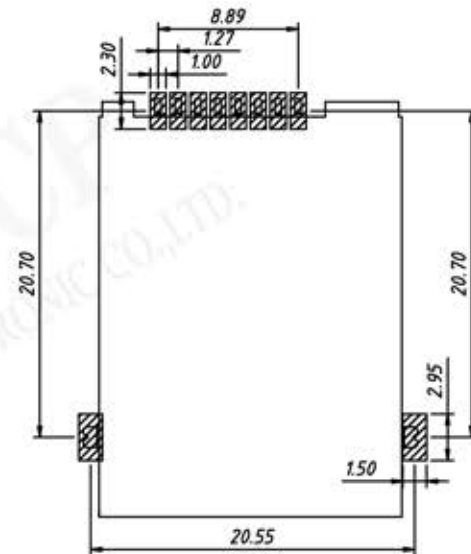
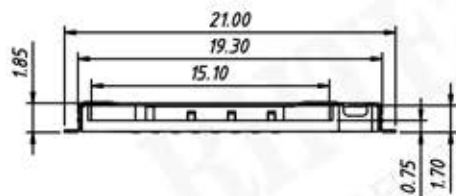


Pin #	Name
C1	VCC
C2	RST
C3	CLK
C5	GND
C6	VPP
C7	I/O



PCB PAD
RECOMMENDED PCB LAYOUT
 GENERAL TOLERANCE ± 0.05



Material:

Insulator:H-Temperature Plastic,UL94V-0.Black.

Contact:Copper Alloy,T=0.15mm;Shell:Stainless Steel,T=0.15mm

Finish:

Terminal:50u" min Nickel Underplated on Allcover,Gold Plating on Contact Arer,80u" min Tin on Solder Tail.

Shell:50u" Nickel Underplated on Allcover,Gold Flash on Solder Latch.

Electrical:

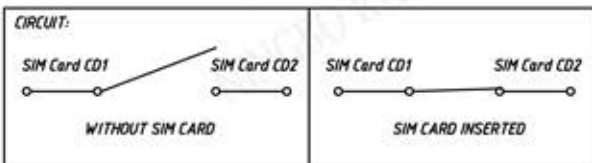
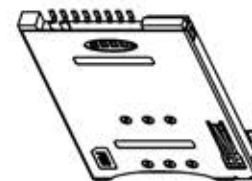
Current Rating:0.5A;Voltage Rating:5.0 Vrms.

Insulation Resistance:500M Min.At DC 500V DC

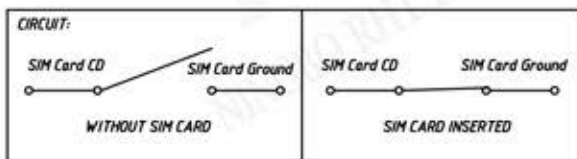
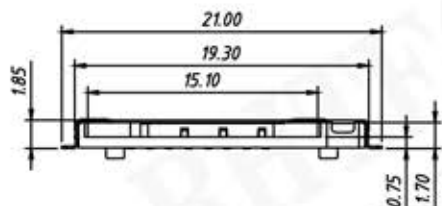
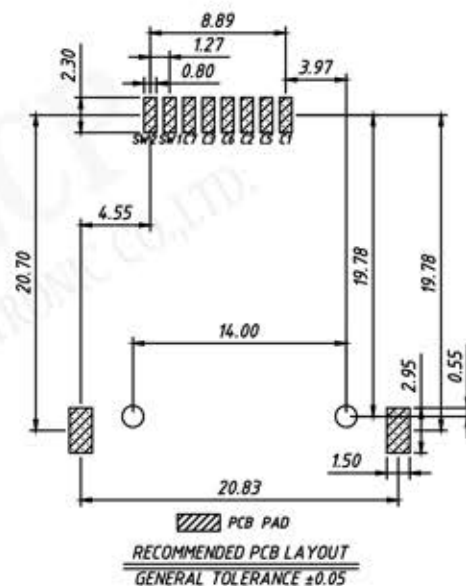
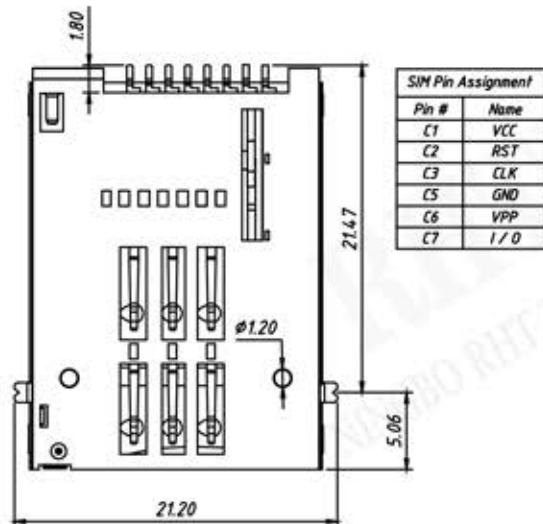
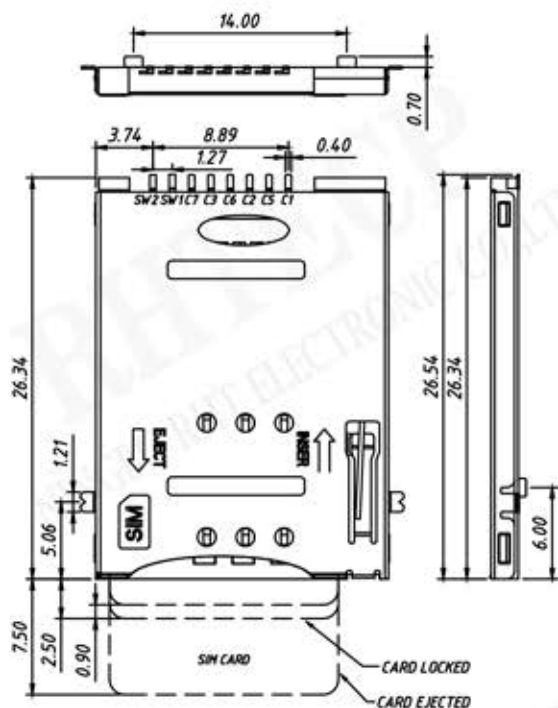
Withstanding Voltage:250V ACrms For 1 Minute.

Contact Resistance:100M Max.At 10MA/20mV MAX.

Operating Temperature:-55°C TO +85°C ;Mating Cycles:5000 Insertions.



P/N:RE-C-SIM-030-6P-1-R



Material:

Insulator:H-Temperature Plastic,UL94V-0.Black.

Contact:Copper Alloy, T=0.15mm;Shell:Stainless Steel, T=0.15mm

Finsh:

Terminal:50u" min Nickel Underplated on Allover,Gold Plating on Contact Arer,80u" min Tin on Solder Tail.

Shell:50u" Nickel Underplated on Allover,Gold Flash on Solder Latch.

Electrical:

Current Rating:0.5A.; Voltage Rating:5.0 Vrms.

Insulation Resistance:500M Min.At DC 500V DC

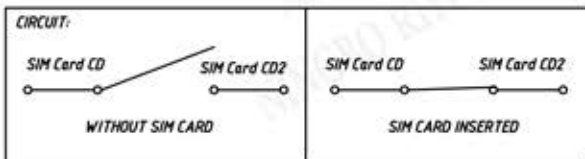
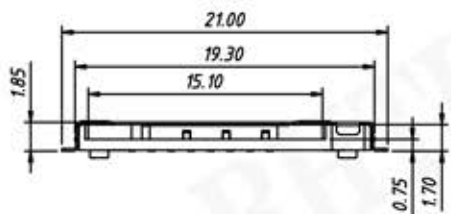
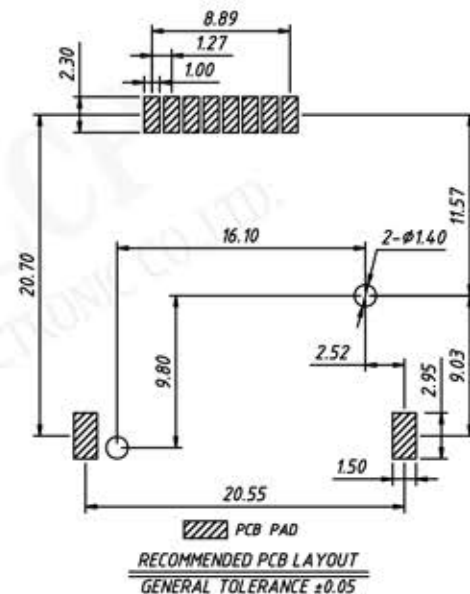
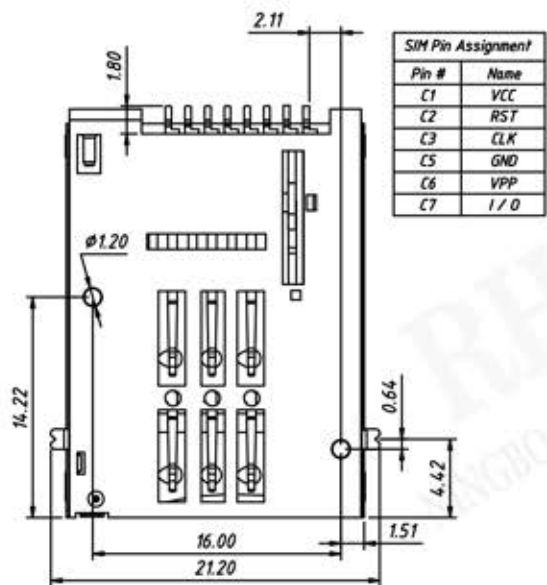
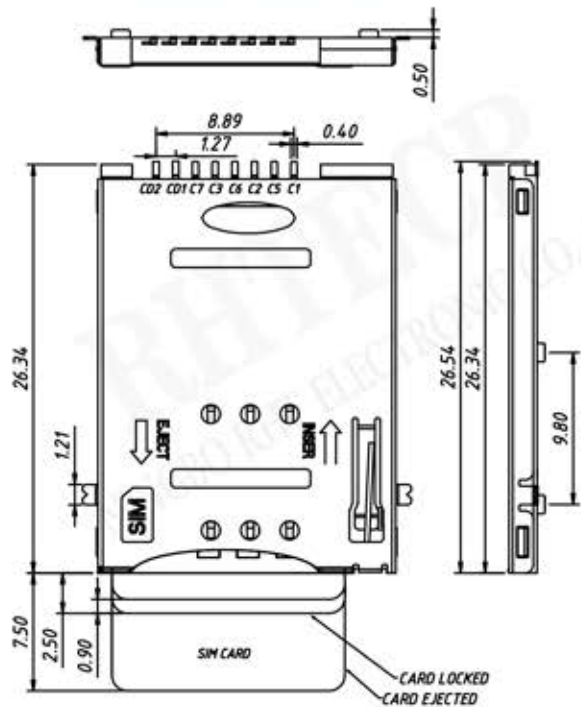
Withstanding Voltage:250V ACrms For 1 Minute.

Contact Resistance:100M Max.At 10MA/20mV MAX.

Operating Temperature:-55°C TO +85°C ;Mating Cycles:5000 Insertions.



P/N:RE-C-SIM-030-6P-3-R



Material:

Insulator:H-Temperature Plastic,UL 94 V-0.Black.

Contact:Copper Alloy, T=0.15mm;Shell:Stainless Steel, T=0.15mm

Finish:

Terminal:50u" min Nickel Underplated on Allover,Gold Plating on Contact Arer,80u" min Tin on Solder Tail.

Shell:50u" Nickel Underplated on Allover,Gold Flash on Solder Latch.

Electrical:

Current Rating:0.5A.; Voltage Rating:5.0 Vrms.

Insulation Resistance:500M Min.At DC 500V DC

Withstanding Voltage:250V ACrms For 1 Minute.

Contact Resistance:100M Max.At 10MA/20mV MAX.

Operating Temperature:-55°C TO +85°C ;Mating Cycles:5000 Insertions.

