

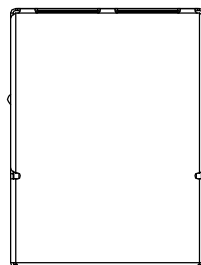
1 REACH & RoHS COMPLIANT

REV.	ECN / DESCRIPTION	BY	DATE
A0	NEW	ZG.Hu	2017.11.10

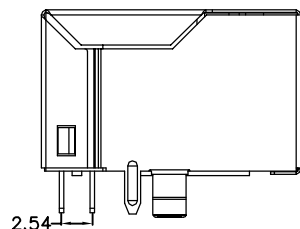


WURTH 7499010003A alternative

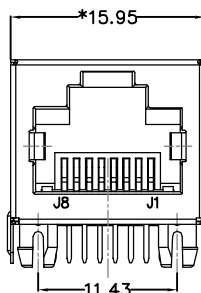
Modular Connector, RJ45 Jack, 1 x 1 (Port), 8P8C, Through Hole Mount



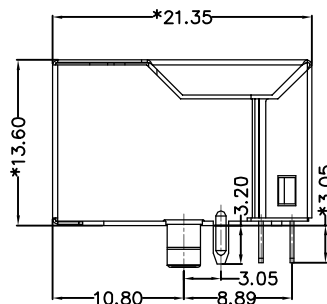
TOP VIEW



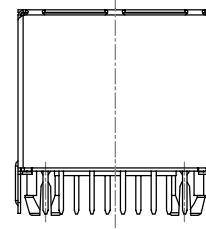
LEFT SIDE VIEW



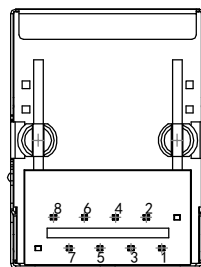
FRONT VIEW



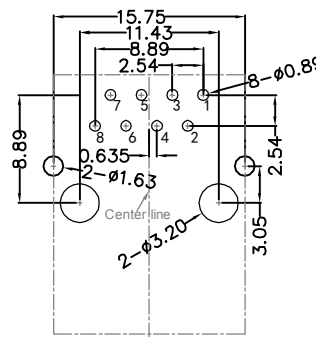
RIGHT SIDE VIEW



BACK VIEW



BOTTOM VIEW



RECOMMENDED PCB LAYOUT VIEWED FROM COMPONENT SIDE

MATERIAL:

HOUSING : PBT,UL94V-0,BLACK.
 TERMINALS BRACKET: PBT,UL94V-0,BLACK.
 SHIELD: C2680,T=0.20MM,NICKEL PLATING ON ALL AREA.
 TERMINAL: PHOSPHOR BRONZE C5210,T=0.35MM,
 6U" GOLD PLATING ON CONTACT AREA.

MECHANICAL:

DURABILITY : 750 CYCLES MIN.
 MATING FORCE : 23N MAX.
 OPERATING TEMPERATURE: -40°C~+85°C.
 STORAGE TEMPERATURE: -40°C~+85°C.
 ALL CRITICAL DIMENSIONS WITH "*"



TITLE:	TAB-UP 1X1 100BASE	SIZE	A4	UNITS	MM[INCH]	GENERAL TOLERANCES	UNLESS SPECIFIED	APPROVED BY:	JP.Gong
PART NO.:	YD211B083GWA4D	SACLE	1:1	REV	A0	x±0.35	x°±3.0°	CHECKED BY:	TW.XU
REMARK:		SHEET	1/3			.x±0.30	.x°±2.0°	DESIGND BY:	ZG.Hu
						.xx±0.25	.xx°±1.5°		
						.xxx±0.10	.xxx°±1.0°		

REACH & RoHS
COMPLIANT

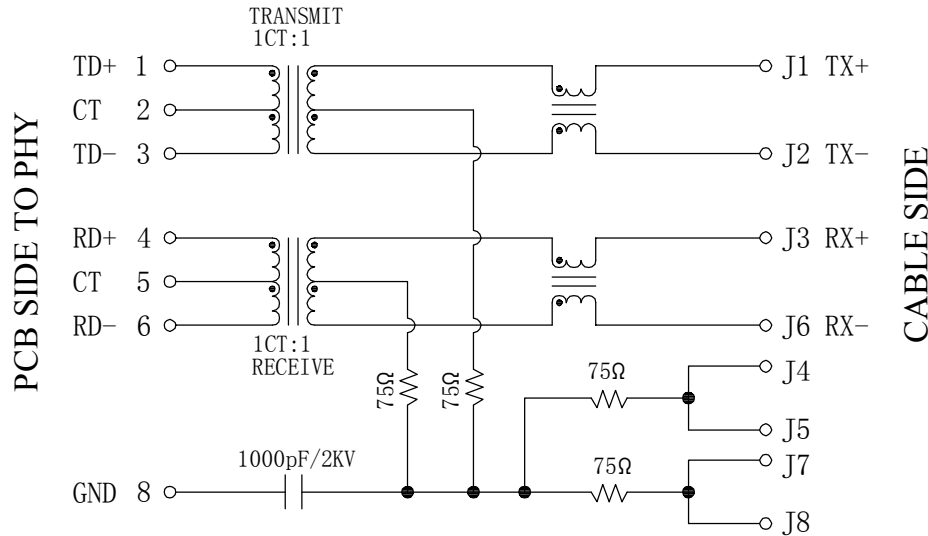
A0

REV.	ECN / DESCRIPTION	BY	DATE
	NEW	ZG.Hu	2017.11.10



WURTH 7499010003A alternative

Modular Connector, RJ45 Jack, 1 x 1 (Port), 8P8C, Through Hole Mount



Electrical:

- Turn ratio: 1~3: J1~J2=1CT:1CT(±2%).
4~6: J3~J6=1CT:1CT(±2%).
- OCL: 350uH Min.at 100KHz 100mV 8mA DC.
- Insertion Loss: -1.0 dB Max 1~100MHz.
- Return loss: -20dB Min 1~10MHz;
-16dB Min 10~30MHz.
-12dB Min 30~60MHz.
-10dB Min 60~80MHz.
- Cross talk: -40dB Min 1~30MHz;
-35dB Min 30~60MHz;
-30dB Min 60~100MHz;
- CMR: -30dB Min 1~100MHz;
- Hi-Pot: 1500V AC & 2250V DC
6S 1mA PRI TO SEC



DISTRIBUTION LTD

TITLE: TAB-UP 1X1 100BASE	SIZE A4	UNITS MM[INCH]	GENERAL TOLERANCES UNLESS SPECIFIED		APPROVED BY: JP.Gong
PART NO.: YD211B083GWA4D	SACLE 1:1	REV A0	x±0.35 .x±0.30	x°±3.0° .x°±2.0°	CHECKED BY: TW.XU
REMARK:	SHEET 2/3		.xx±0.25 .xxx±0.10	.xx°±1.5° .xxx°±1.0°	DESIGN BY: ZG.Hu

REACH & RoHS
COMPLIANT

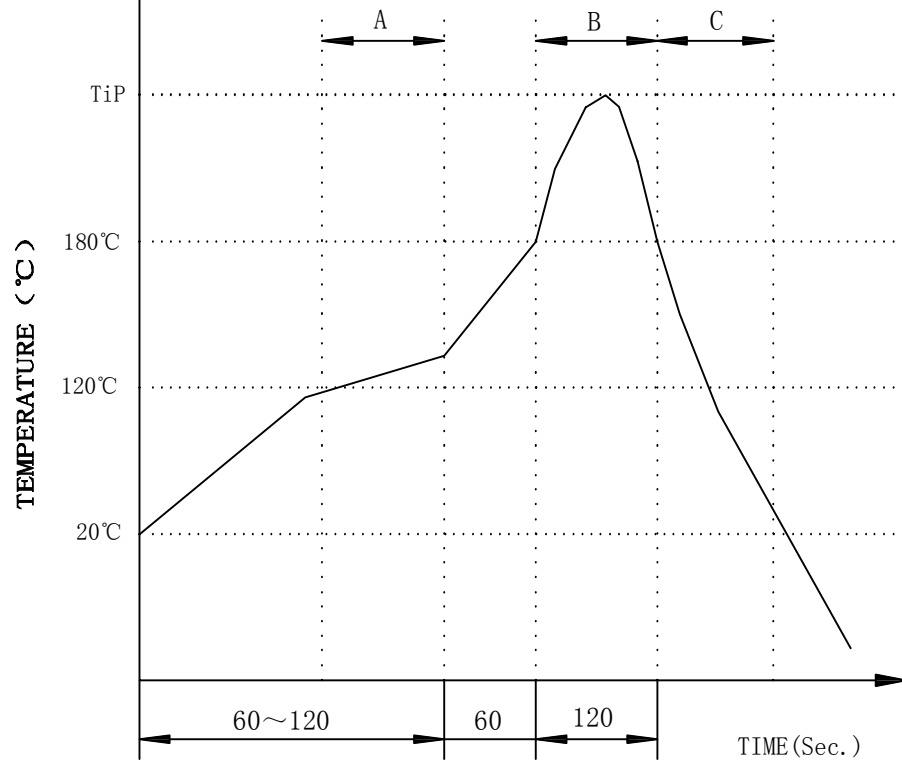


REV.	ECN / DESCRIPTION	BY	DATE
A0	NEW	ZG.Hu	2017.11.10

WURTH 7499010003A alternative

Modular Connector, RJ45 Jack, 1 x 1 (Port), 8P8C, Through Hole Mount

PROFILE OF WAVE SOLDER



A.Preheating B.Soldering C.Gradual Cooling
 Tip temperature:260±5°C.
 Tip temperature time:5Sec Max.
 Tip melting point of Sn96.5/Ag3/Cu0.5:217°C.

Remarks: after wave soldering, the plastic positioning columns of the product which under the PCB will be slightly melted, but it won't affect its function.



TITLE: TAB-UP 1X1 100BASE	SIZE A4	UNITS MM[INCH]	GENERAL TOLERANCES UNLESS SPECIFIED		APPROVED BY: JP.Gong
PART NO.: YD211B083GWA4D	SACLE 1:1	REV A0	x±0.35	x°±3.0°	CHECKED BY: TW.XU
REMARK:	SHEET 3/3		.xx±0.25	.xx°±1.5°	DESIGND BY: ZG.Hu
			.xxx±0.10	.xxx°±1.0°	