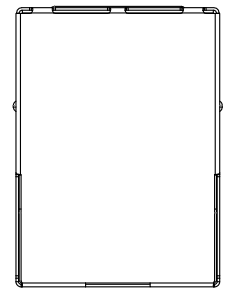
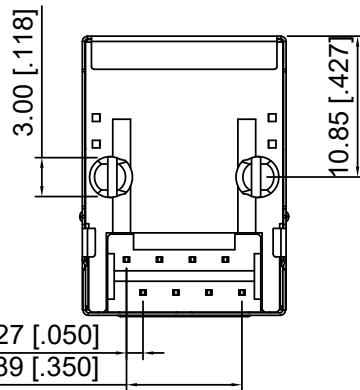
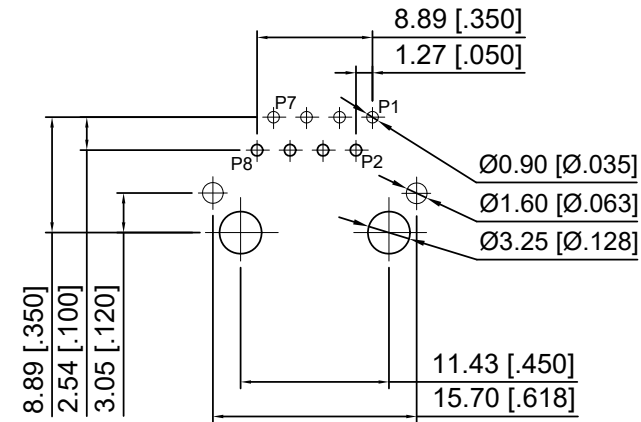
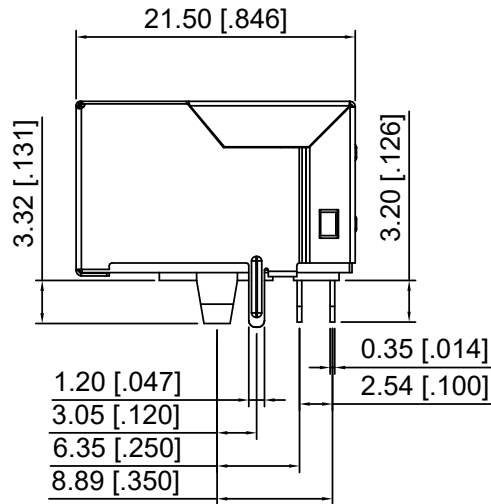
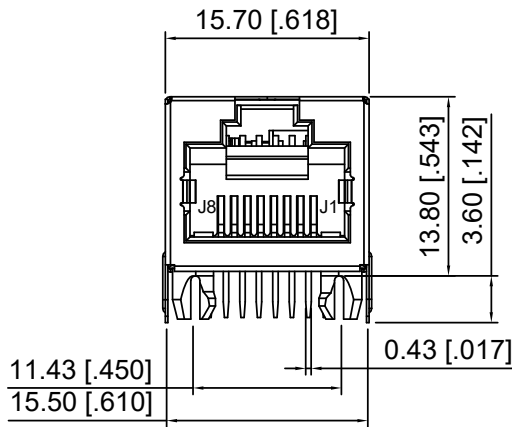


# Mechanical



GoldPlating	Option
1.8μ"	<input type="checkbox"/>
3μ"	<input type="checkbox"/>
6μ"	<input type="checkbox"/>
15μ"	<input type="checkbox"/>
30μ"	<input checked="" type="checkbox"/>
50μ"	<input type="checkbox"/>

RECOMMENDED P.C.B LAYOUT  
TOP VIEW (COMPONENT SIDE)

Dimensions Tolerance:  
All PCB LAYOUT  
Tolerances:±0.05[.002]

## WURTH 7499010003A alternative

1X1 10/100 RJ45 no LED, 30U" gold plating

### MATERIALS

1.HOUSING:GLASS FILLED PA46(BLACK) UL94V-0(ROHS)
2.CONTACT: PHOSPHOR BRONZE,50-100 MICROINCHES MIN. OVERALL DUCTILE NICKEL UNDERPLATE WITH SELECTED 30 MICROINCHES GOLD AT MATING INTERFACE
3.SHIELD:0.2mm THICKNESS WITH BRASS.
4.JACK CAVITY CONFORMS TO FCC RULES AND REGULATIONS PART 68 SUBPART F
5.THE PART IS RECOMMENDED FOR WAVE SOLDERING PROCESS PEAK SOLDERING TEMPERATURE IS 260°C MAX,10 SECS MAX.
6.OPERATING TEMPERATURE:-40°C TO +85°C. STORAGE TEMPERATURE:-40°C TO +85°C.



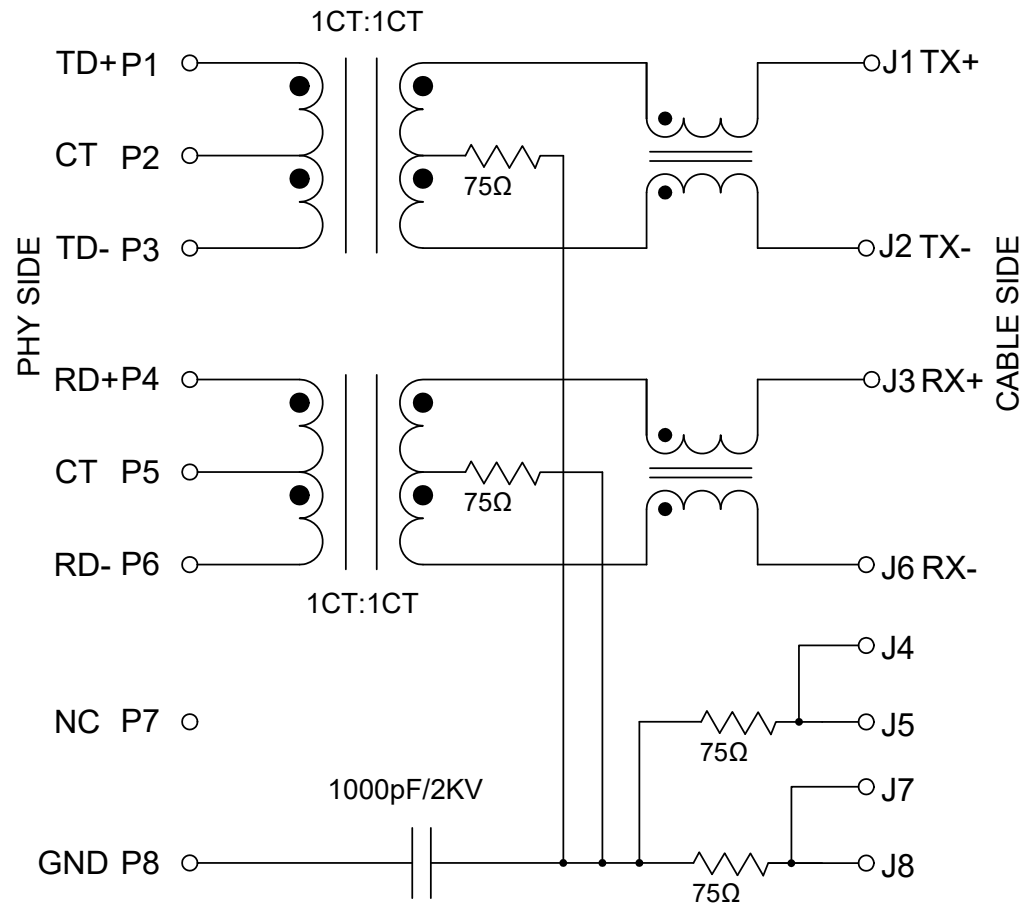
产品客户图 Customer Drw			BEC Distribution Limited			
未注公差 TOLERANCE UNLESS OTHERWISE SPECIFIED	0.XX ±0.10 X.XX ±0.25 XX.XX ±0.25 X° ±2°		Description	RJ45 1X1 Tab_Up/Through Hole 10/100Base-T W/O LED		
比例 SCALE	1:1	角法 PROJ.	设计 DESIGN	WANGKG	2022.03.04	品名 TITLE
张数 SHEET	1/2	大小 SIZE	校对 CHECKED	DANNY	2022.03.04	料号 ITEM NO.
单位 UNIT	mm	版本 REV.	核准 APPROVED	BYANG	2022.03.04	图号 DWG NO.
					GGN1S405W	

NO.	ECN NO.	DESCRIPTION	REV.	DRAW	DATE
1					
2					
3					

# Schematic

## WURTH 7499010003A alternative

1X1 10/100 RJ45 no LED, 30U" gold plating



PARAMETER	SPECIFICATIONS
OPERATING TEMPERATURE	-40°C To +85°C
TURNS RATIO	1:1±2%
INDUCTANCE(OCL)	350uH MIN@100KHz/100mV With 8mA DC Bias
INSERTION LOSS	-1.0dB MAX@0.3MHz-100MHz;
RETURN LOSS (Z out=100 OHM)	-18dB MIN@1MHz-30MHz; -16dB MIN@30MHz-60MHz; -12dB MIN@60MHz-80MHz;-10dB MIN@80MHz-100MHz;
CROSSTALK (ADJACENT CHANNELS)	-30dB MIN@1MHz-100MHz;
COMMON MODE REJECTION RATIO	-30dB MIN@1MHz-100MHz;
HI-POT	2250 VDC@60 SECONDS



产品客户图 Customer Drw				BEC Distribution Limited			
未注公差 TOLERANCE UNLESS OTHERWISE SPECIFIED	0.XX ±0.10 X.XX ±0.25 XX.XX ±0.25 X° ±2°	Description		RJ45 1X1 Tab_Up/Through Hole 10/100Base-T W/O LED			
比例 SCALE	1:1	角法 PROJ.	设计 DESIGN	WANGKG	2022.03.04	品名 TITLE	GGN1S405W
张数 SHEET	2/2	大小 SIZE	校对 CHECKED	DANNY	2022.03.04	料号 ITEM NO.	
单位 UNIT	mm	版本 REV.	核准 APPROVED	BYANG	2022.03.04	图号 DWG NO.	