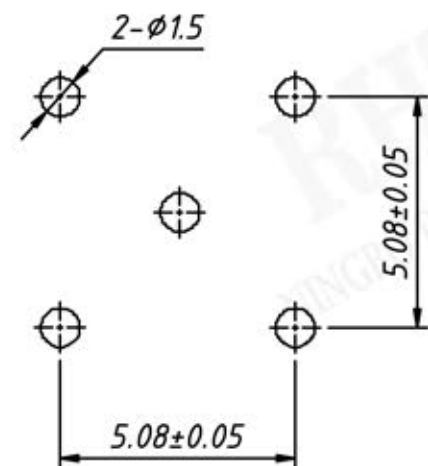
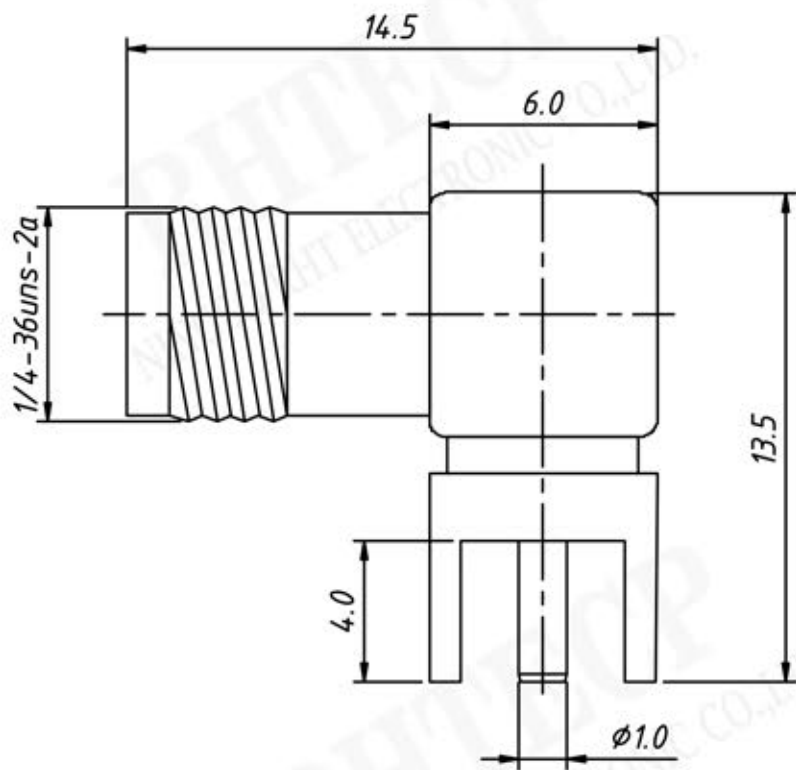


P/N: RE-C-SMA002



Electrical Specifications:

- Impedance: 50Ω
- Frequency Range Semi-rigid cable: 0-18 GHz
- Flexible cables: 0-12.4 GHz
- Voltage Rating : 335 volts rms.
- Dielectric Withstanding Voltage : 500 volts rms.
- VSWR : 1.15 +0 .02 f (GHz) for Straight connector typical
- 1.25 +0 .025 f (GHz) for Right angle connector typical
- Contact Resistance Center contact: 2.0 mΩ
- Body: 2.0 mΩ
- Insulation Resistance: 5,000 MΩ

Mechanical Specifications:

- Mating:1/4"-36 UNS thread coupling
- Cable retention:6kgf typical
- Durability:500Cycles Min.
- Coupling nut retention:18kgf Min.

Temperature Range: - 55°C to +155°C

Material:

- Connector body: Brass per QQ-B-626 ,gold Plating or nickel
- Center contact Male: Brass,gold Plating
- Center contact Female: Beryllium copper,gold Plating
- Insulator: PTFE
- Gasket:Silicone rubber
- Crimp Ferrule:Annealed copper

UNITS:mm	SHEET SIZE:A4		SCALE: ---
> 0~ 3	> 3~ 18	> 18~ 50	> 50~ 120
± 0.12	± 0.15	± 0.3	± 0.5