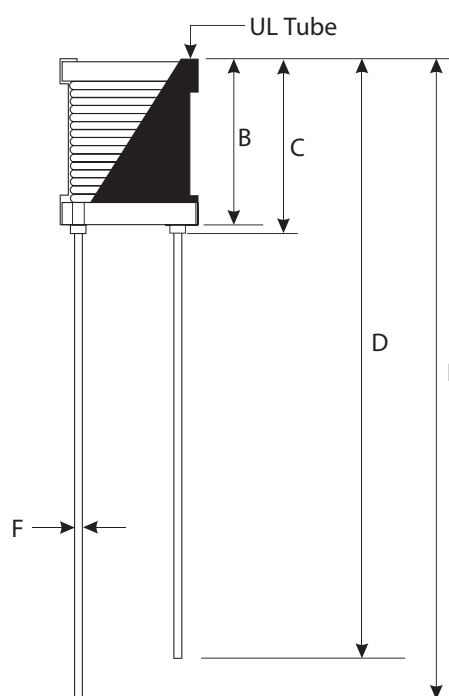
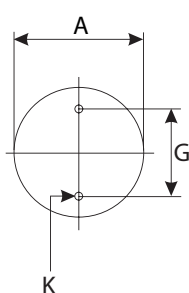


Specification

CT Part Number: KT-4795F	Revision: Original
Type: Radial Leaded Inductor	ECN:

Physical Dimensions (Unit: mm)

- A: 7.2±0.5
- B: 8.5±0.5
- C: 10.5 Max.
- D: 41±3.30
- E: 45±3.30
- F: 0.6±0.05
- G: 3.0
- K: 1.20±0.15



Electrical Characteristics

- Inductance:** 1.0 mH±10% at 1kHz, 0.1V
- Q:** 120 Nom. at 100kHz, 15mA
- DCR:** 3.63 Ω Max.
- SRF:** 2.5 MHz
- IDC:** 0.17A
- Operating Temp.:** -25°C to +70°C
- Storage Temp.:** -40°C to +125°C

Drawing Number: 040709-4795