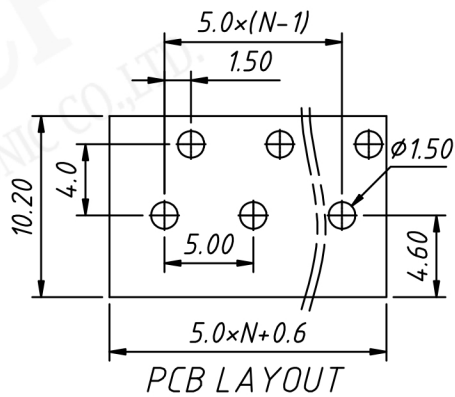
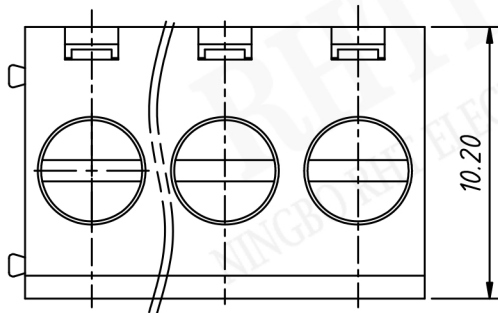


Material
 Housing: PA66, UL94V-0
 Pin header: Brass, Tin plated
 Clamp: Brass, Ni plated
 Screw: M2.5, steel Zinc plated

Electrical
 Rated voltage: 300V
 Rated current: 16A
 Contact Resistance: 20 mΩ
 Insulation resistance: 500MΩ/DC500V
 Withstand voltage: AC2000V / 1min
 Wire Range: 22~12AWG 2.5mm²

Mechanical
 Temp. Range: -40 °C ~ +105 °C
 Strip length: 6~7mm
 Torque: 0.4Nm (3.5Lb.in)

Order Information
 RE - C - 128D - 5.00 - XXP - 4 S 00
 RoHS
 Terminal Block
 Pitch
 No.: of Pole
 Color: 4- Green
 Screw: S-Slot Screw
 Product Code: 00~99



UNITS:mm	SHEET SIZE:A4		SCALE: ---
> 0~3	> 3~18	> 18~50	> 50~120
± 0.12	± 0.15	± 0.3	± 0.5