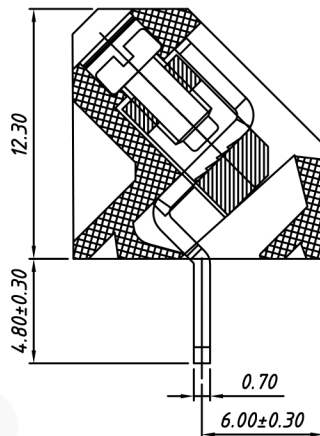


PCB LAYOUT



SECTION:A-A



**Material**

Screw: M2.5, Steel, Zn plated  
 Cage: Brass, Nickel plated  
 Pin header: Brass, Tin plated  
 Housing: PA66, UL94V-0

**Electrical**

Rated voltage: 300V  
 Rated current: 15A  
 Wire range: 22~14AWG 1.5mm<sup>2</sup>  
 Contact Resistance: 20 mΩ  
 Insulation resistance: 500MΩ/DC500V  
 Withstand voltage: AC2000V / 1 min

**Mechanical**

Temp. Range: -40 °C ~ +105 °C  
 Soldering: 250 °C ± 5 °C for 5S  
 Torque: 0.4Nm (3.54Lbin)  
 Strip length: 6~7 mm

r: 4-Green

**Order Information**

RE - C - 102 - 5.00 - XXP - 4 S xx

RoHS

Terminal Block

Pitch

No.: of Pole

Product Code: 00~99

Screw: S-Slot Screw

C-Cross Screw

Color



NINGBO RHT ELECTRONIC CO., LTD

UNITS:mm

SHEET SIZE:A4

SCALE: ---



First angle projection

> 0~3

> 3~18

> 18~50

> 50~120

± 0.12

± 0.15

± 0.3

± 0.5

TERMINAL BLOCK