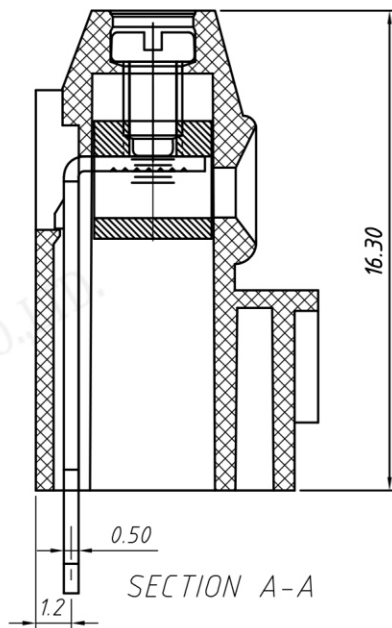
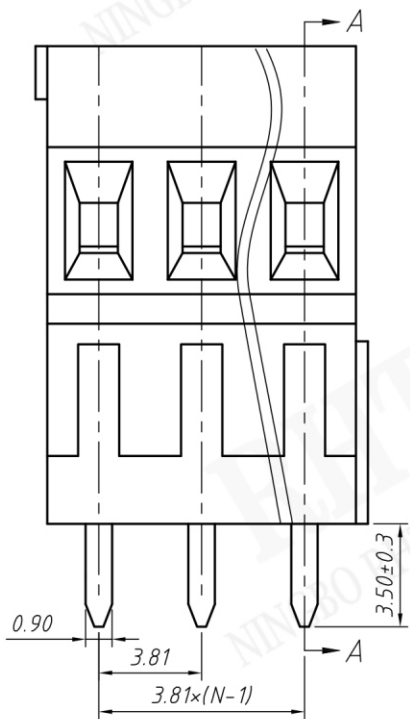


PCB LAYOUT



SECTION A-A



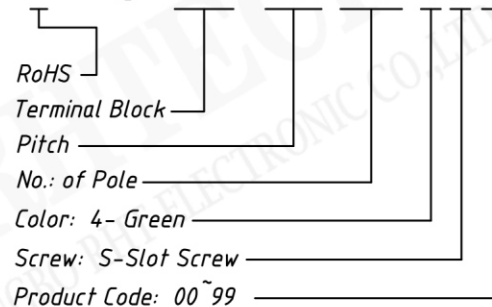
Material  
Housing: PA66, UL94V-0  
Clamp: Brass, Ni plated  
Pin Header: Brass, Tin plated  
Screw: M2 steel Zinc plated

Electrical  
Rated voltage: 300V  
Rated current: 10A  
Contact Resistance: 20 mΩ  
Insulation resistance: 500MΩ/DC500V  
Withstand voltage: AC2000V / 1 min  
Wire Range: 24~12AWG 2.5mm<sup>2</sup>

Mechanical  
Temp. Range: -40 °C ~ +105 °C  
Strip length: 5~6mm  
Torque: 0.2Nm (1.75Lb.in)

Order Information

RE - C - 125H - 3.81 - XXP - 4 S 00



NINGBO RHT ELECTRONIC CO., LTD

UNITS:mm

SHEET SIZE:A4

SCALE: ---



> 0~3

> 3~18

> 18~50

> 50~120

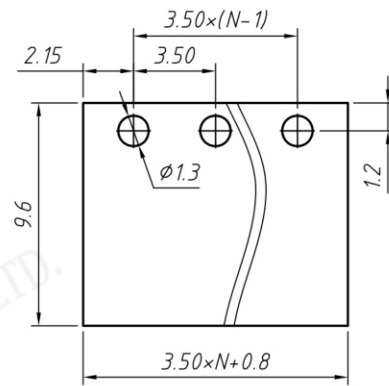
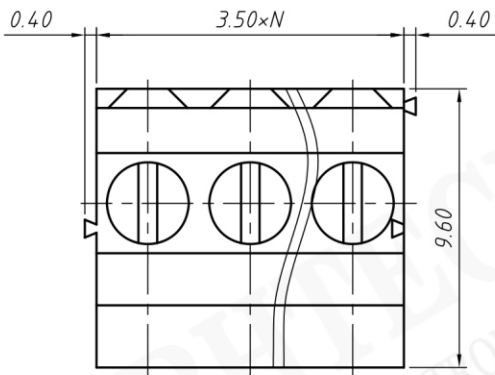
± 0.12

± 0.15

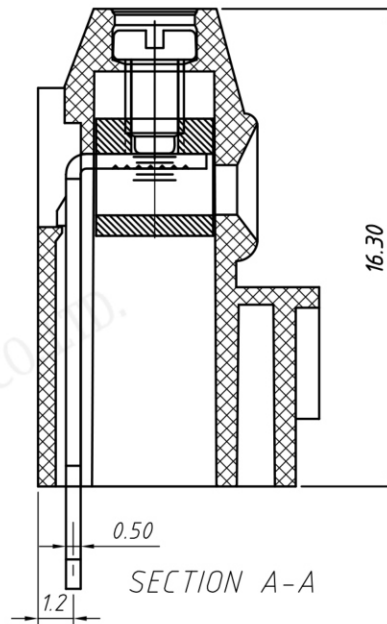
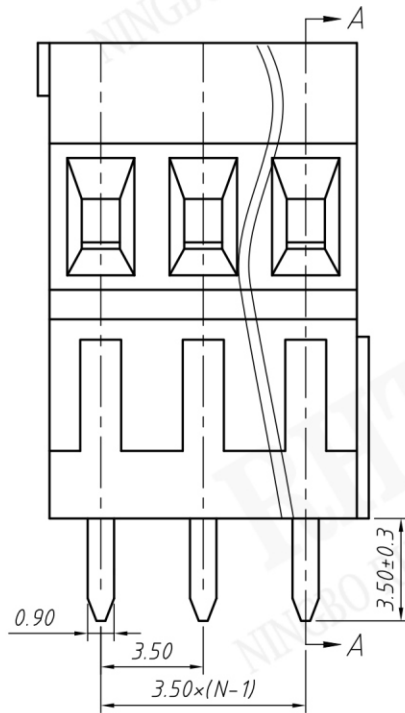
± 0.3

± 0.5

TERMINAL BLOCK



PCB LAYOUT



SECTION A-A



**Material**  
**Housing:** PA66, UL94V-0  
**Clamp:** Brass, Ni plated  
**Pin Header:** Brass, Tin plated  
**Screw:** M2 steel Zinc plated

**Electrical**  
**Rated voltage:** 300V  
**Rated current:** 10A  
**Contact Resistance:** 20 m Ω  
**Insulation resistance:** 500MΩ/DC500V  
**Withstand voltage:** AC2000V / 1 min  
**Wire Range:** 24 ~ 12AWG 2.5mm<sup>2</sup>

**Mechanical**  
**Temp. Range:** -40 °C ~ + 105 °C  
**Strip length:** 5 ~ 6mm  
**Torque:** 0.2Nm (1.75Lb.in)

**Order Information**

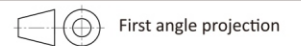
RE - C - 125II - 3.50 - XXP - 4 S 00

RoHS  
Terminal Block  
Pitch  
No. of Pole  
Color: 4- Green  
Screw: S-Slot Screw  
Product Code: 00 ~ 99



NINGBO RHT ELECTRONIC CO., LTD

UNITS:mm	SHEET SIZE:A4		SCALE: ---
> 0 ~ 3	> 3 ~ 18	> 18 ~ 50	> 50 ~ 120
± 0.12	± 0.15	± 0.3	± 0.5



TERMINAL BLOCK