

MATERIALS & FINISHES

BODY: BRASS

PLATED: SEE TABLE

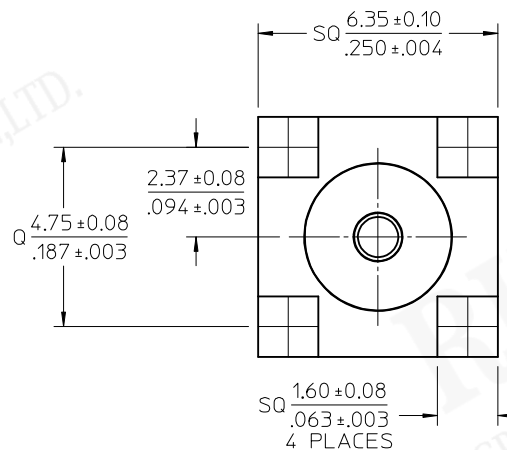
CONTACT: BERYLLIUM COPPER

PLATED: GOLD

INSULATOR: TEFLON

KAPTON: POLYIMIDE FILM

(ON -1355 ONLY)



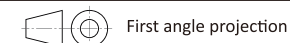
73251-1355	T & R W/KAPTON (400 PCS / REEL) BODY GOLD
73251-1354	TAPE & REEL (400 PCS / REEL) BODY NICKEL
73251-1353	TRAY PACK (80 PCS / TRAY) / BODY NICKEL
73251-1352	ONE PIECE 73251-1350 PER BAG / BODY GOLD
73251-1351	TAPE & REEL (400 PCS / REEL) / BODY GOLD
73251-1350	TRAY PACK (80 PCS / TRAY) / BODY GOLD
PART NO	TAPE & REEL (400 PCS / REEL) / BODY GOLD

MIL-STD-348A, FIG. 310.2	INTERFACE
SPECIFICATION	DESCRIPTION

UNITS:mm

SHEET SIZE:A4

SCALE: ---



> 0~ 3

> 3~ 18

> 18~ 50

> 50~ 120

± 0.12

± 0.15

± 0.3

± 0.5

CONNECTOR



NINGBO RHT ELECTRONIC CO.,LTD

