



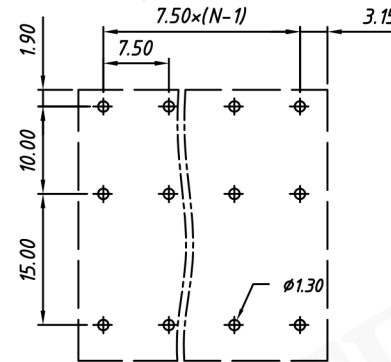
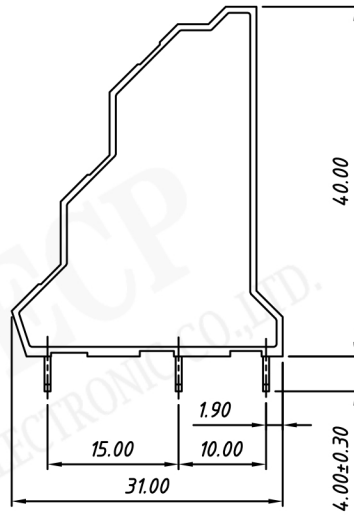
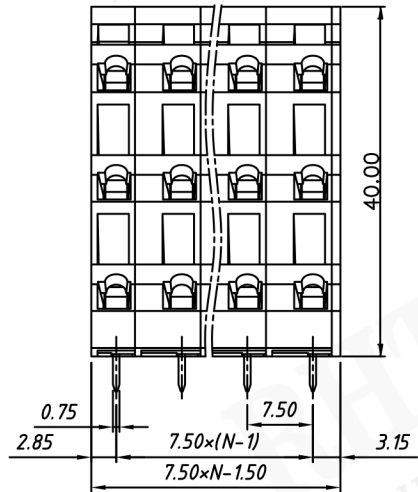
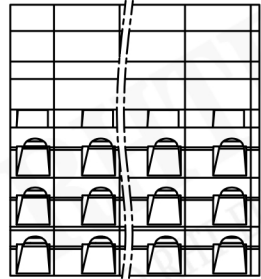
Material
Housing: PA66, UL94V-0
Pin header: Brass, Tin plated
Wire guard: Stainless steel

Electrical
Rated voltage: 300V
Rated current: 10A
Wire range: 26~14AWG 2.5mm²
Contact Resistance: 20 mΩ
Insulation resistance: 500MΩ/DC500V
Withstand voltage: AC2000V / 1 min

Mechanical
Temp. Range: -40 °C ~ +105 °C
Soldering: 250 °C ± 5 °C for 5S
Strip l

Order Information

RE - C - 246 - 7.50 - XXP - 1 xx



PCB LAYOUT

UNITS:mm		SHEET SIZE:A4		SCALE: ---
> 0 ~ 3	> 3 ~ 18	> 18 ~ 50	> 50 ~ 120	
± 0.12	± 0.15	± 0.3	± 0.5	