

PCB LAYOUT

**Material**

Screw: M3.0, steel, Zn plated  
 Cage: Brass, Nickel plated  
 Pin header: Brass, Tin plated  
 Housing: PA66, UL94V-0, Green



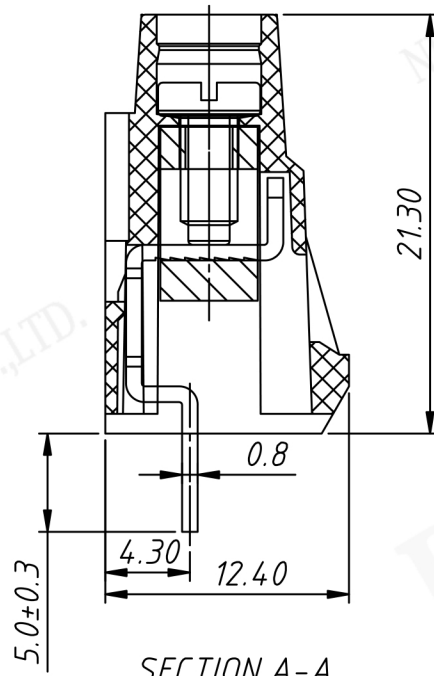
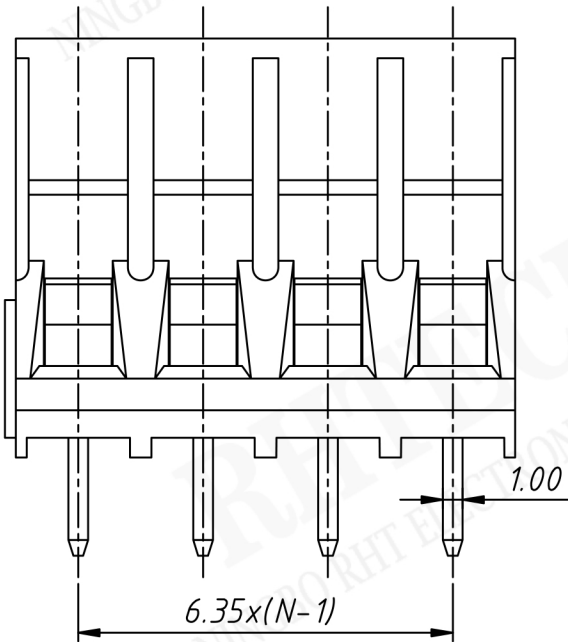
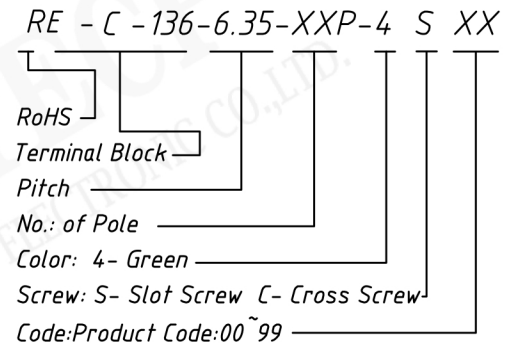
**Electrical**

Rated voltage: 300V  
 Rated current: 30A  
 Wire range: 24 ~ 10AWG 4mm<sup>2</sup>  
 Contact Resistance: 20 mΩ  
 Insulation resistance: 500MΩ/DC1000V  
 Withstand voltage: AC2000V / 1 min

**Mechanical**

Temp. Range: -40 °C ~ +105 °C  
 Soldering: 250 °C 5Sec. Max.  
 Torque: 0.5 Nm (4.43 Lb.) in  
 Strip length: 6 ~ 7 mm

**Order Information**



SECTION A-A



NINGBO RHT ELECTRONIC CO.,LTD

UNITS:mm	SHEET SIZE:A4		SCALE: ---		First angle projection <b>TERMINAL BLOCK</b>
> 0 ~ 3	> 3 ~ 18	> 18 ~ 50	> 50 ~ 120		
± 0.12	± 0.15	± 0.3	± 0.5		