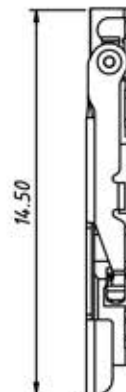
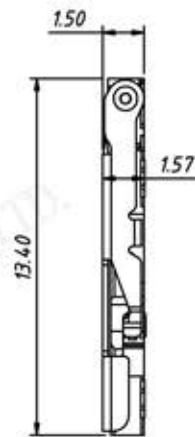
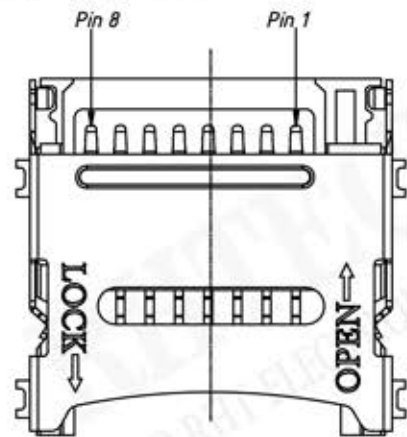
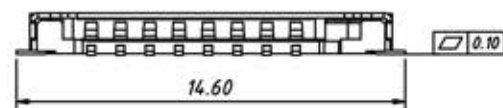
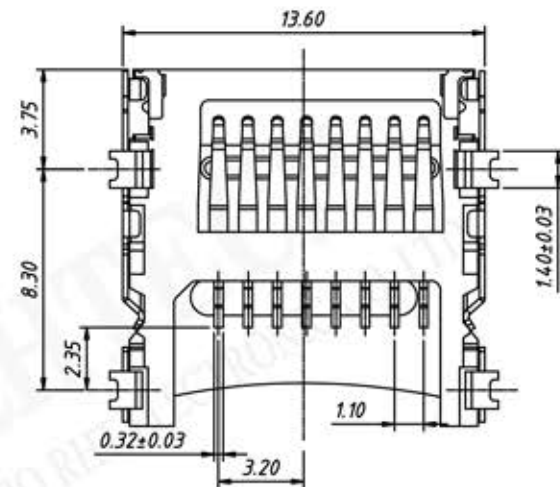


P/N: RE-C-TF-007



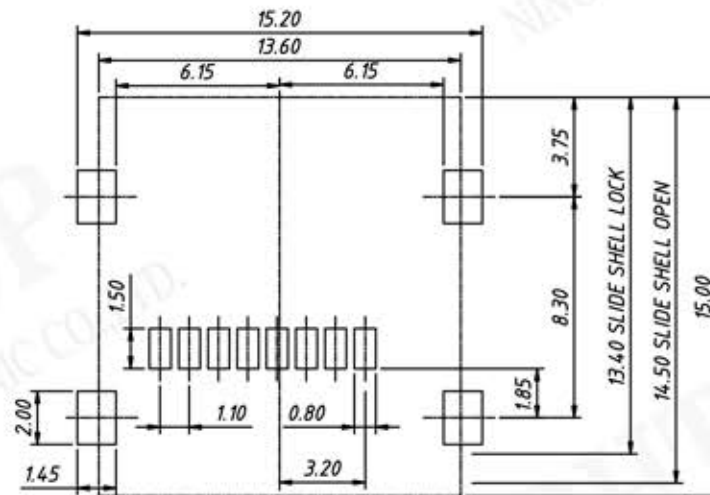
SLIDE SHELL OPEN

SLIDE SHELL LOCK

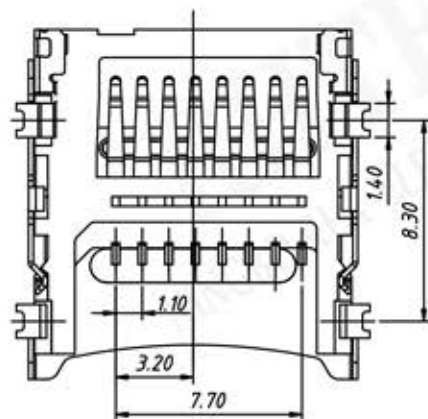


**Material:**  
 Housing: High Temperature Thermoplastic, UL 94 V-0, Black.  
 Terminal: Copper Alloy.  
 Stator: Copper Alloy.  
 Shell: Stainless Steel.

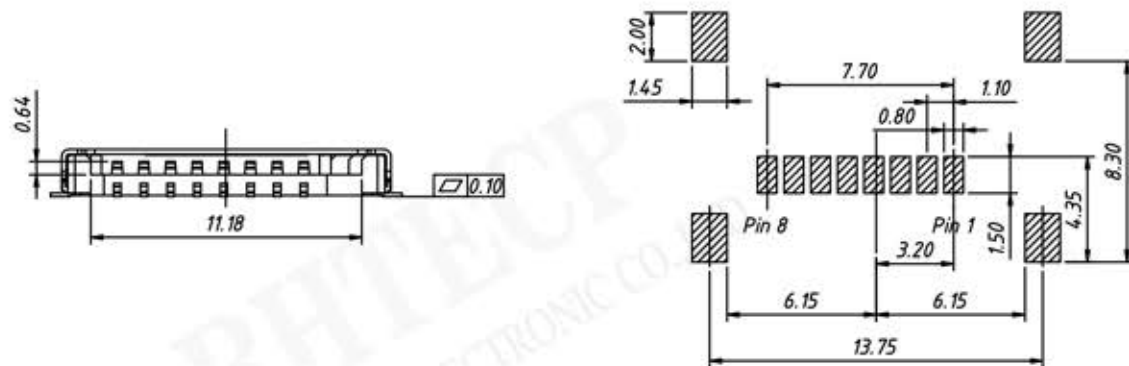
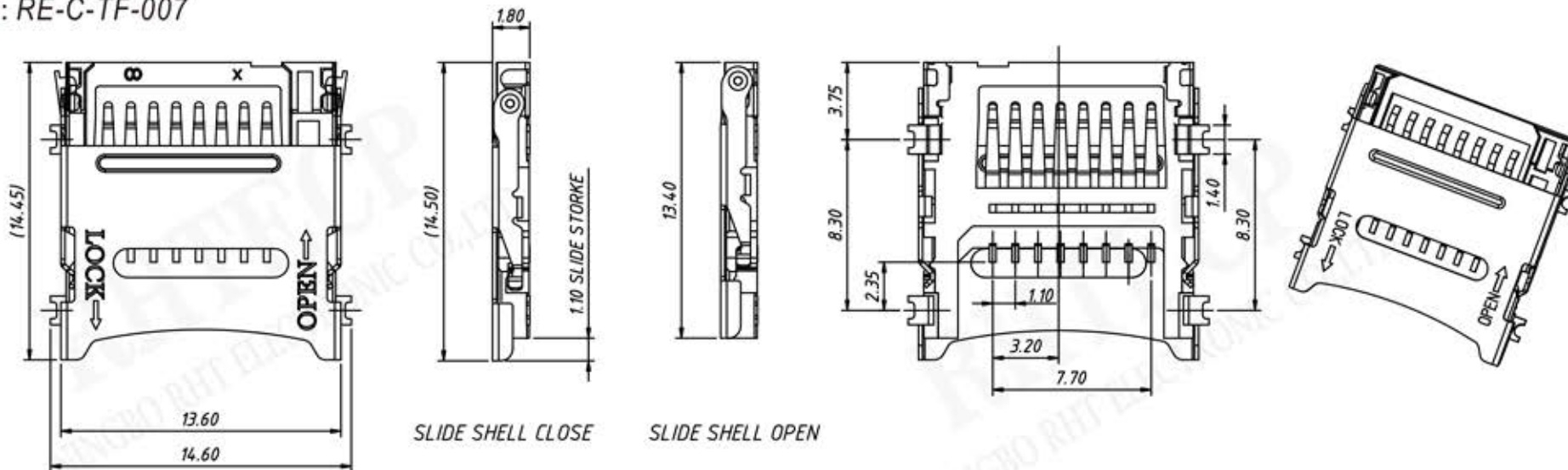
**Electrical:**  
 Rated current: 1.0A  
 Rated Voltage: 30V  
 Contact Resistance: 50mΩ Max.  
 Insulation Resistance: 100MΩ Min./100V DC  
 Dielectric Withstanding Voltage: 100V AC.  
 Solder ability: 245°C ±5°C, 5±0.5s  
 Durability: 5000 Cycles.  
 Operating Condition: Temperature: -40°C TO +85°C



RECOMENDED PCB LAYOUT  
 TOLERANCE: ±0.05



P/N: RE-C-TF-007



RECOMENDED PCB LAYOUT  
TOLERANCK:±0.05

PIN NO	NAME	TYPE	DESCRIPTION
1	DAT2	I/O/PP	DATE LINE(BIT2)
2	CD/DAT3	I/O/PP	CARD EDTECT DATE LIN(BIT3)
3	CMD	PP	COMMAND RESPONSE
4	VDD	S	SUPPLY VOLTAGE
5	CLK	I	CLOCK
6	VSS	S	SUPPLY VOLTAGE GROUND
7	DAT0	I/O/PP	DATE LINE(BIT0)
8	DAT1	I/O/PP	DATE LINE(BIT1)

**Material:**  
 Insulator:Hi-Temperature Plastic,UL 94V-0.Black.  
 Terminal:Copper Alloy,AU Plating on all terminal contact area,and tin plating on solder tail area.  
 Shell:Stainless Steel.

**Electrical:**  
 Current Rating:0.5 A  
 Voltage Rating:5.0 vrms  
 Insulation Resistance:1000M $\Omega$  Min./500V DC  
 Withstanding Voltage:250V AC For 1 minute.  
 Contact Resistance:100m $\Omega$  Max.AT 10mA/20mV Max  
 Operating Temp Range:-40°C TO +85°C  
 Mating Cycles:10000 Insertions.