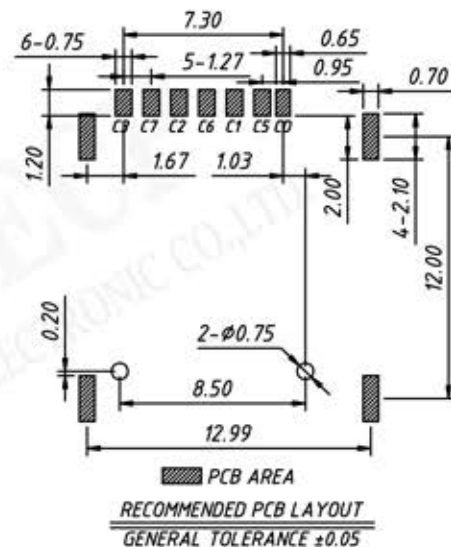
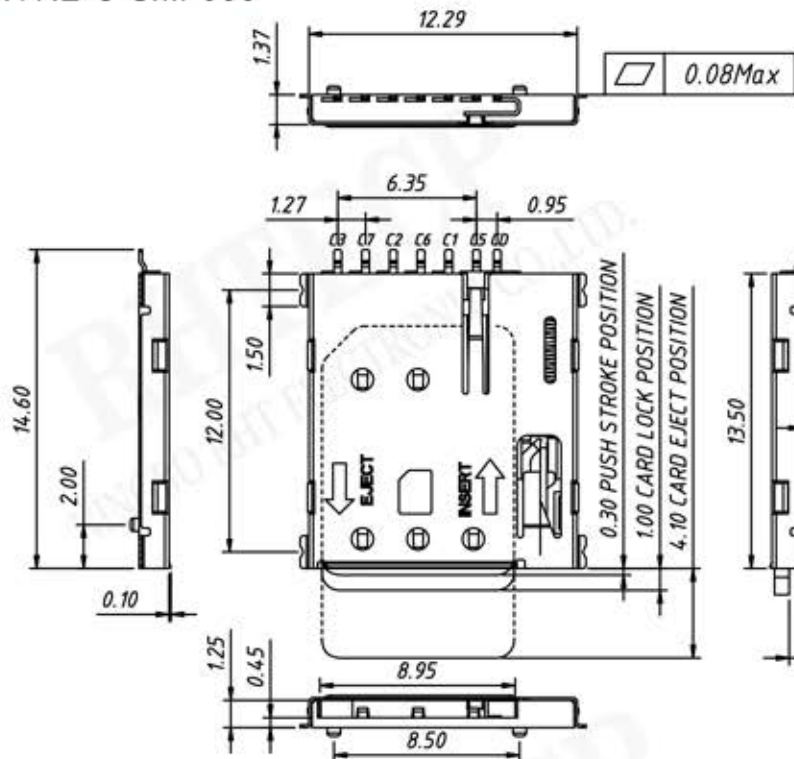
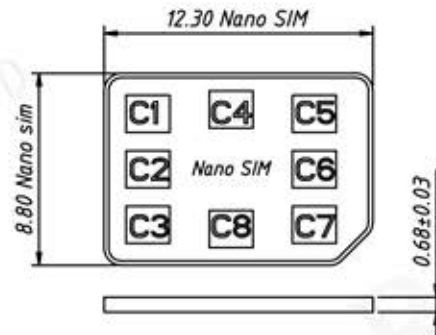
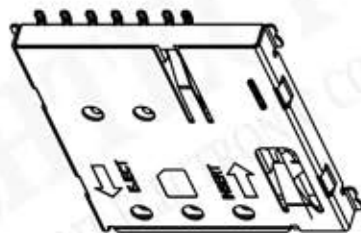
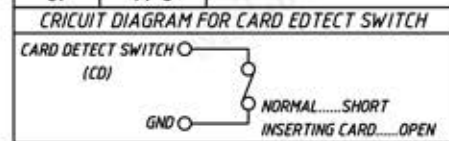


P/N: RE-C-SIM-066



SIM Pin Assignment	
Pin #	Name
C1	VCC
C2	RST
C3	CLK
C5	GND
C6	VPP
C7	I/O



Material:

Insulator: High Temperature Thermoplastic, UL 94 V-0.
 Contact: Copper Alloy, Plated 50u" Ni Overall, PAD Au 1u".
 Shell: SUS. All Ni 30U/MIN.

Electrical:

Current Rating: 0.5A amper
 Voltage Rating: 5V AC/DC
 Ambient Temperature Range: -40°C ~ +85°C
 Storage Temperature Range: -40°C ~ +85°C
 Ambient Humidity Range: 95% R.H. Max.
 Contact Resistance: 100mΩ Max.
 Insulation Resistance: 1000MΩ Min./500V DC
 Mating Cycles: 3000-8000 Insertions.
 Peak temperature: 260°C