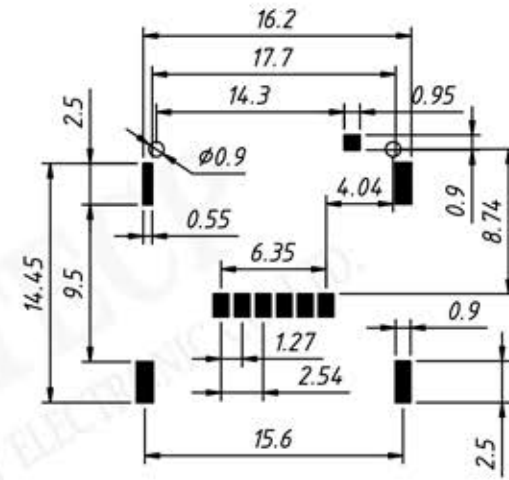
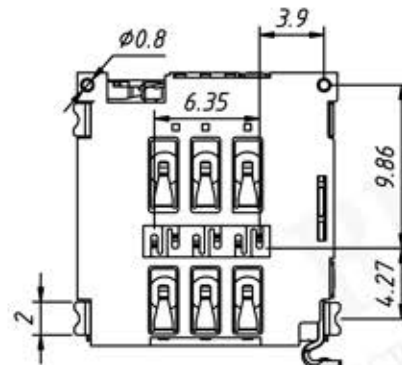
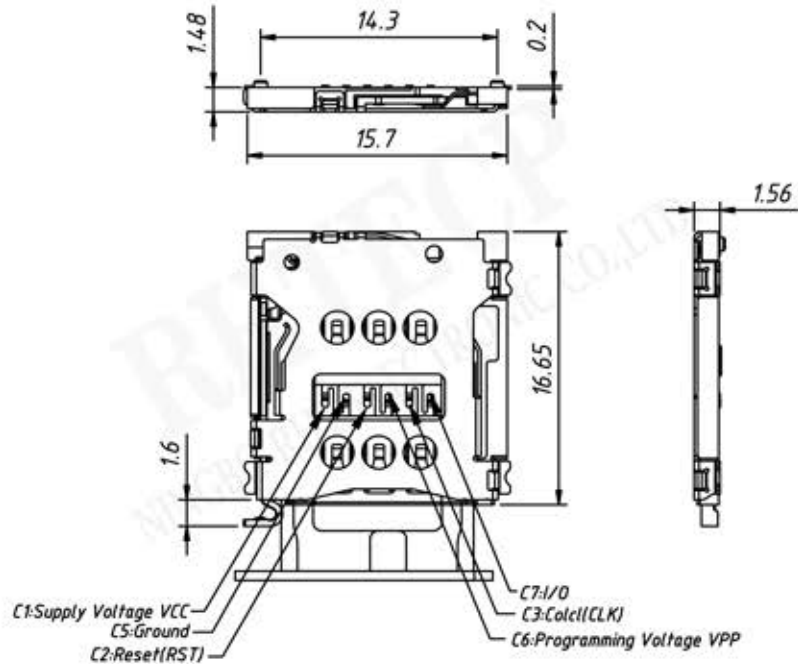
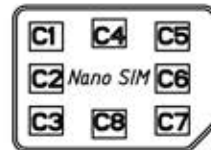
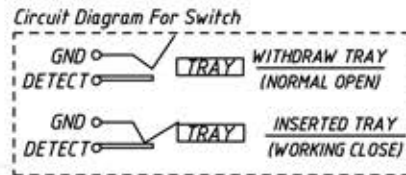


P/N: RE-C-SIM-104



RECOMMENDED PCB LAYOUT
GENERAL TOLERANCE ±0.05



Electrical:

Current Rating: 1 Amp/ Pin. MAX.

Voltage: 30V DC. MAX

Low Level Contact Resistance: 30mΩ Max. Initially.

Dielectric Withstanding Voltage: 500V AC MIN. For 1 minute.

Insulation Resistance: 100MΩ Min. 500V DC .For 1 minute.

Durability: 1500 Cycles.

Operating Force (Inserting & Withdrawal): 1N- 10N.

Operating Temp Range: -25°C TO +85°C (Including Terminal Temp. Rise)

Storage Temp: -40°C TO +85°C

