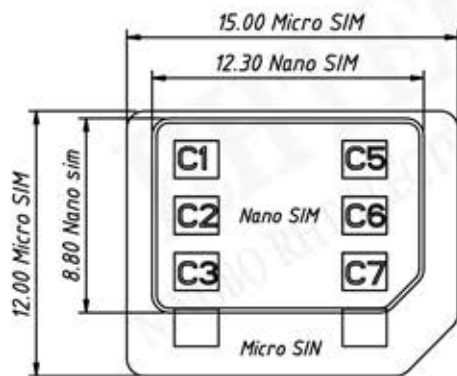


RECOMMENDED PCB LAYOUT
GENERAL TOLERANCE ±0.05



Material:

Insulator: High Temperature Thermoplastic, UL94V-0.
Contact: C5210. Plated 50u" Ni Overall, Contact All Au 1u.
Shell: SUS, Plated 50u" Ni Overall, PAD Au 1u.

Electrical:

Current Rating: 0.5A AC/DC max.
Voltage Rating: 125V AC/DC
Operating Temperature Range: -30°C TO +85°C.
Storage Temperature Range: -40°C TO +70°C.
Ambient Humidity Range: 95% R.H. Max.
Contact Resistance: 100mΩ Max.
Insulation Resistance: 1000MΩ Min./500V DC
Reflow Peak Temp: 260°C±5°C, 3-5s
Mating Cycles: 3000 Insertions min.

SIM Pin Assignment	
Pin #	Name
C1	VCC
C2	RST
C3	CLK
C5	GND
C6	VPP
C7	I/O

