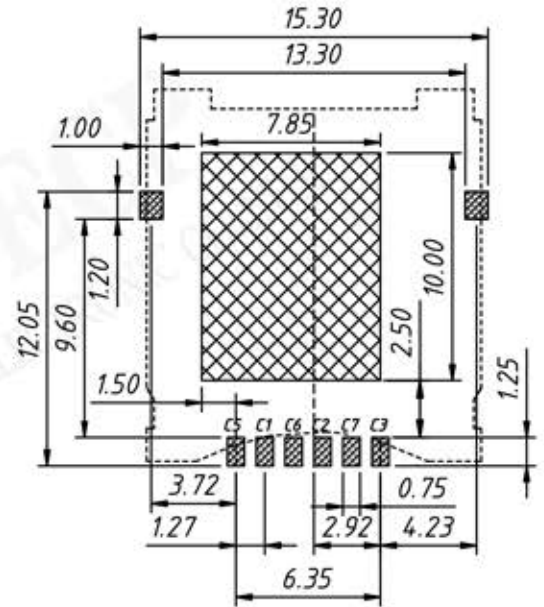
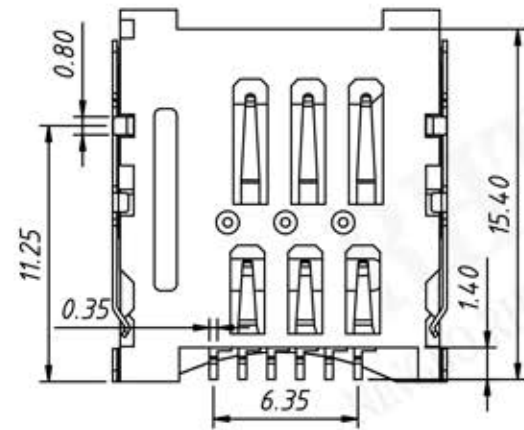
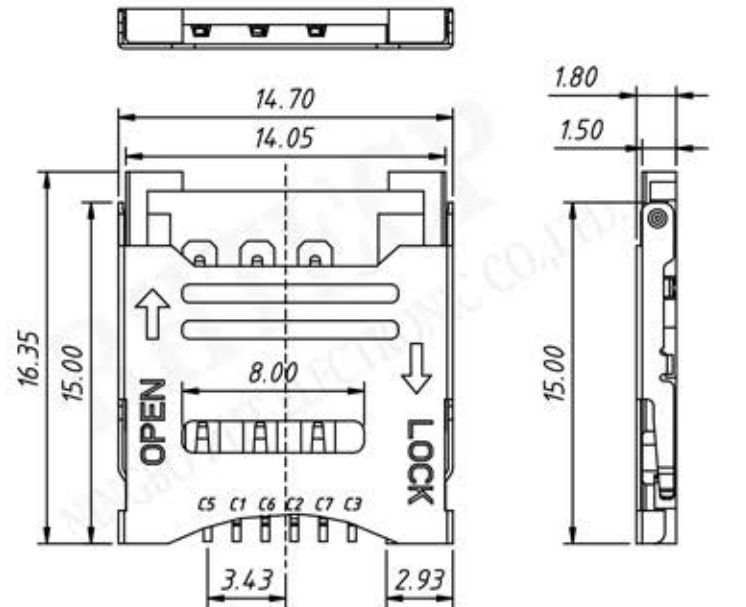
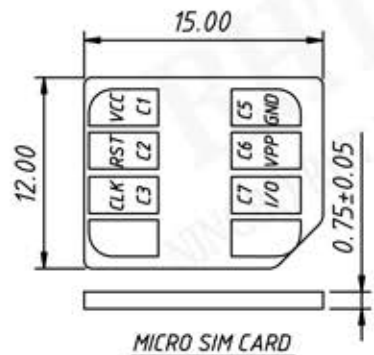
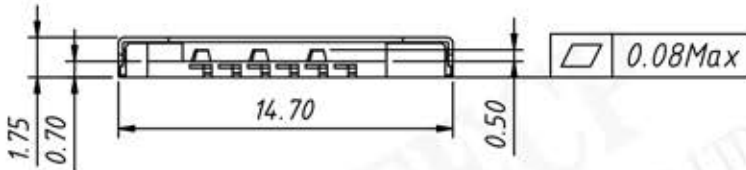


P/N: RE-C-SIM-072

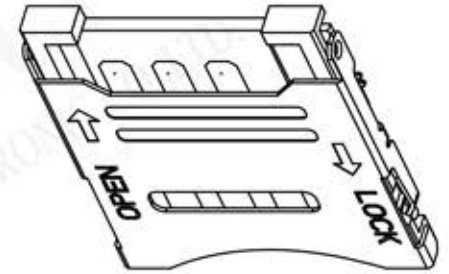


■ SMT SOLDER AREA
 ▨ NO WIRING AREA
 RECOMMENDED PCB LAYOUT
 GENERAL TOLERANCE ±0.05



SIM Pin Assignment	
Pin #	Name
C1	VCC
C2	RST
C3	CLK
C5	GND
C6	VPP
C7	I/O

Material:
 Housing:LCP,UL94V-0,Black.
 Terminal:Copper Alloy.
 Shell:Stainless Steel.
Electrical:
 Current Rating:1A Max.
 Voltage Rating:30V DC max.
 Contact Resistance:30mΩ Max.
 Insulation Resistance:1000MΩ Min.
 Dielectric Voltage:500V r.m.s./min.
 Operation Temp:-40oC ~ +85oC
 Humidity:0% ~ 95%
 Durability:5000 Cycles.



UNITS:mm	SHEET SIZE:A4		SCALE:---
> 0 ~ 3	> 3 ~ 18	> 18 ~ 50	> 50 ~ 120
± 0.12	± 0.15	± 0.3	± 0.5