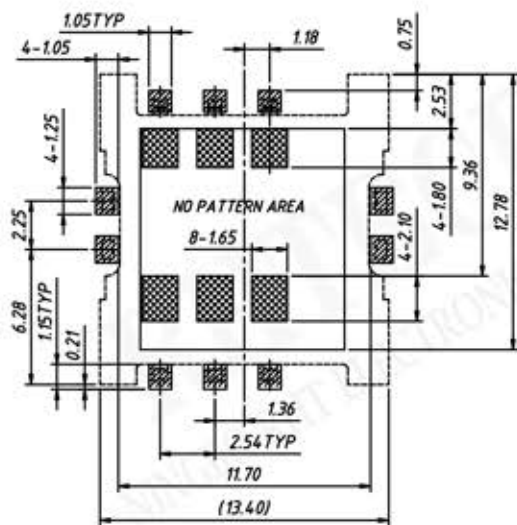


**Material**

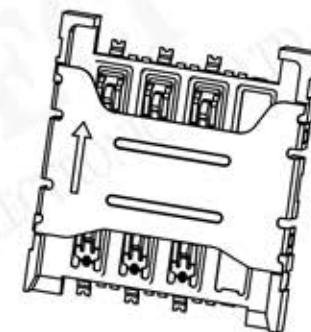
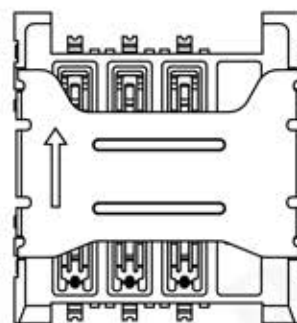
Housing: Thermoplastic, UL94V-0.  
Terminal: Copper Alloy, Gold Plated On Contact Area and Solder Tails, Nickel Plated Overall.  
Shell: Stainless Steel, Nickel Plated Overall, Gold Plated On Solder Tails.

**Electrical:**

Current Rating: 1.0 A max.  
Contact Resistance: 30mΩ Max.  
Dielectric Withstanding Voltage: 500V AC  
Insulation Resistance: 1000MΩ Min./500V DC  
Operating Temperature: -40°C TO +85°C.



PCB AREA  
 CONNECT AREA  
 KEEP OUT AREA  
**RECOMMENDED PCB LAYOUT**  
 TOLERANCE ±0.05 TOP VIEW



UNITS:mm	SHEET SIZE:A4		SCALE: ---
> 0~3	> 3~18	> 18~50	> 50~120
± 0.12	± 0.15	± 0.3	± 0.5