

WURTH 7499210121A alternative

Modular Connector, RJ45 Jack, 1 x 1 (Port), 8P8C,
Through Hole Mount



Part Number: RJ311106F1074-CM



RoHS Compliant

SPECIFICATION APPROVAL

CUSTOMER : BEC Distribution

PRODUCT : RJ311106F1074-CM

Pb-free

CODE NO. : C07711041

CUS. CODE :

SPEC.NO. : C-7711-041(00)

DATE : 9-Sep-21

CUSTOMER APPROVAL

BEC DISTRIBUTION Ltd.

www.bec.co.uk

email: sales@bec.co.uk

Phone: +44(0)1844 275824

PREPARED BY	APPROVED BY	AUTHORIZED BY
JEAN	TONY	MASCOT



WURTH 7499210121A alternative

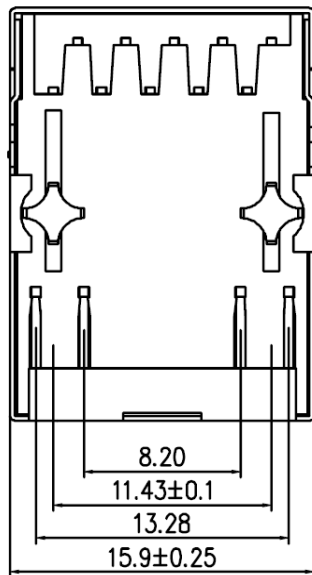
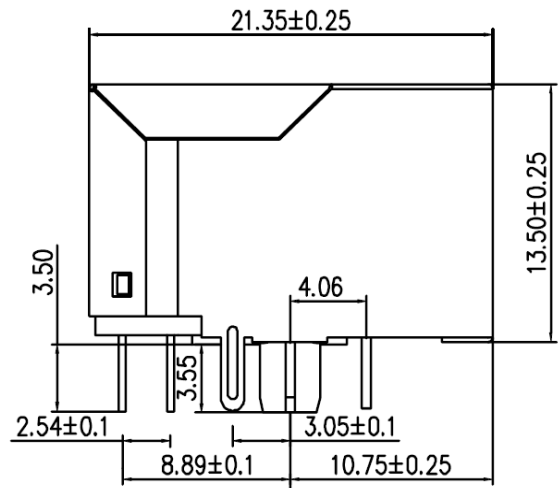
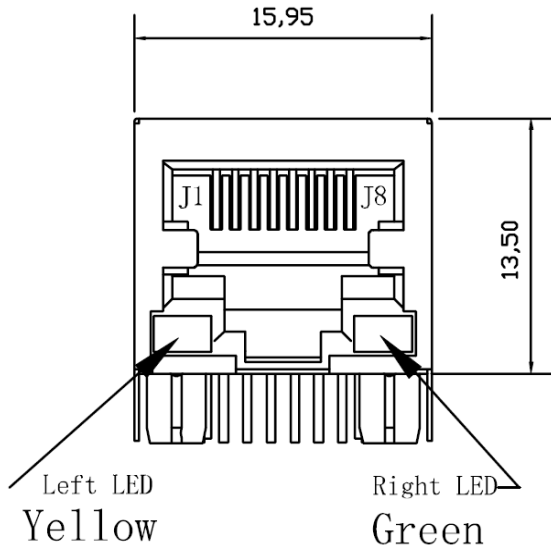
Modular Connector, RJ45 Jack, 1 x 1 (Port), 8P8C,
Through Hole Mount



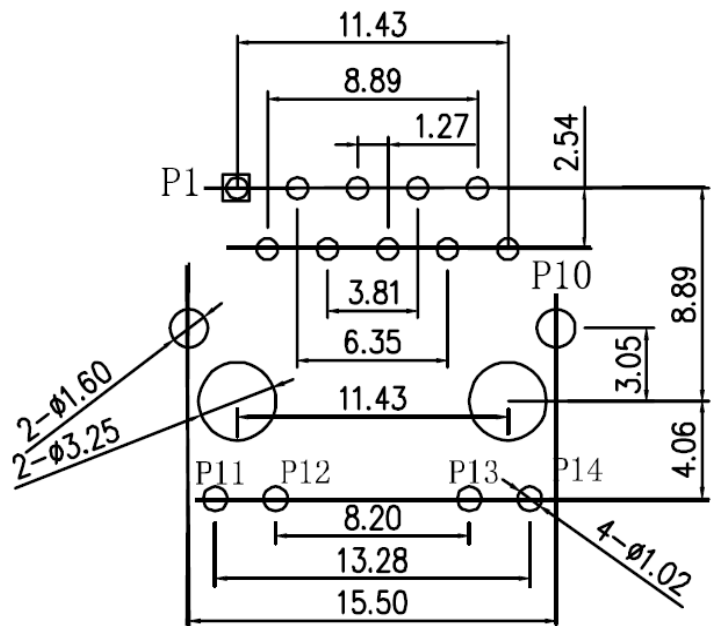
Part Number: RJ311106F1074-CM

PRODUCT	RJ311106F1074-CM	COIL SPECIFICATION	DATE	2021/9/9
SPEC.NO.	C-7711-041(00)		CODE NO.	C07711041

EXTERNAL DIMENSIONS :



P. C. B RECOMMENDED HOLE LAYOUT SEEN FROM COMPONENT SIDE.
ALL CENTERLINE DIMENSIONS ARE BASIC



PCB Recommended Hole Layout Seen From Component Side
All Centerline Dimensions Are Basic

Marking : 311106F1074

CME YYWW(date code)

Tolerance: .XX +/- 0.25

Contact plating : Gold 6 micro-inches min. in contact area.



WURTH 7499210121A alternative

Modular Connector, RJ45 Jack, 1 x 1 (Port), 8P8C,
Through Hole Mount



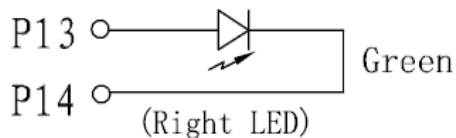
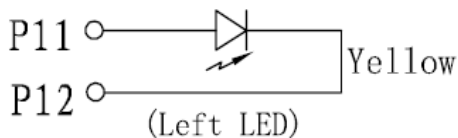
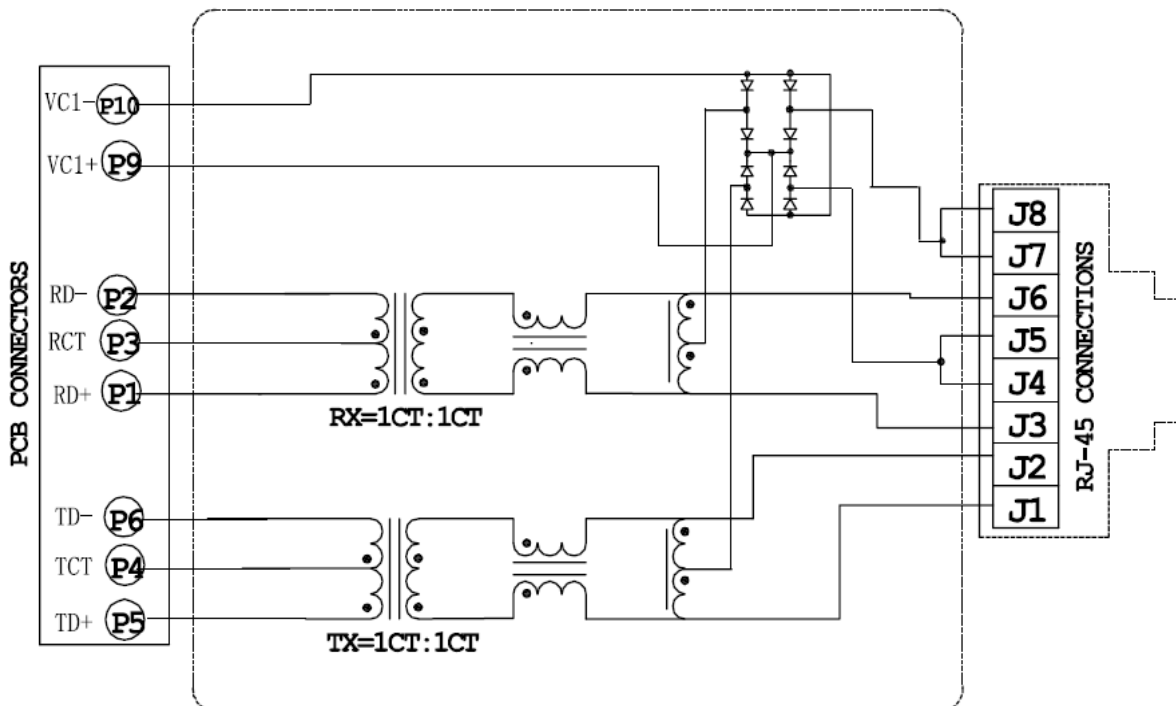
Part Number: RJ311106F1074-CM

PRODUCT	RJ311106F1074-CM	COIL SPECIFICATION	DATE	2021/9/9
SPEC.NO.	C-7711-041(00)		CODE NO.	C07711041

ELECTRICAL CHARACTERISTIC : @25°C

- Insertion Loss : 1-100MHz -1.2dB MAX
- Return Loss : 1-30MHz -18dB MIN
- 30-60MHz -14dB MIN
- 60-80MHz -12dB MIN
- 80-100MHz -10dB MIN
- Cross Talk : 1-100MHz -30.0dB MIN
- Isolation (V) : 1500V AC (Input to Output)
- CMR : 1-100MHz -30.0dB MIN
- OCL : 350uH Min @100KHz 100mV 8mA
- Operating Temperature: -40°C ~ 85°C
- Storage Temperature: -40°C ~ 85°C
- POE+ Rating: 30W, 600mA 48V (For POE+ Products Only)

SCHEMATIC DRAWING :





WURTH 7499210121A alternative

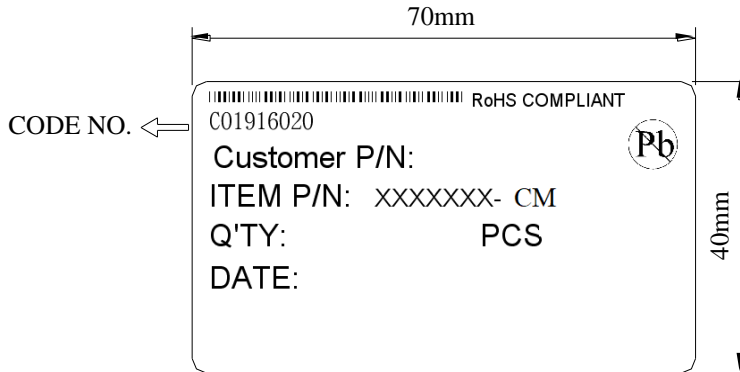
Modular Connector, RJ45 Jack, 1 x 1 (Port), 8P8C,
Through Hole Mount

Part Number: RJ311106F1074-CM

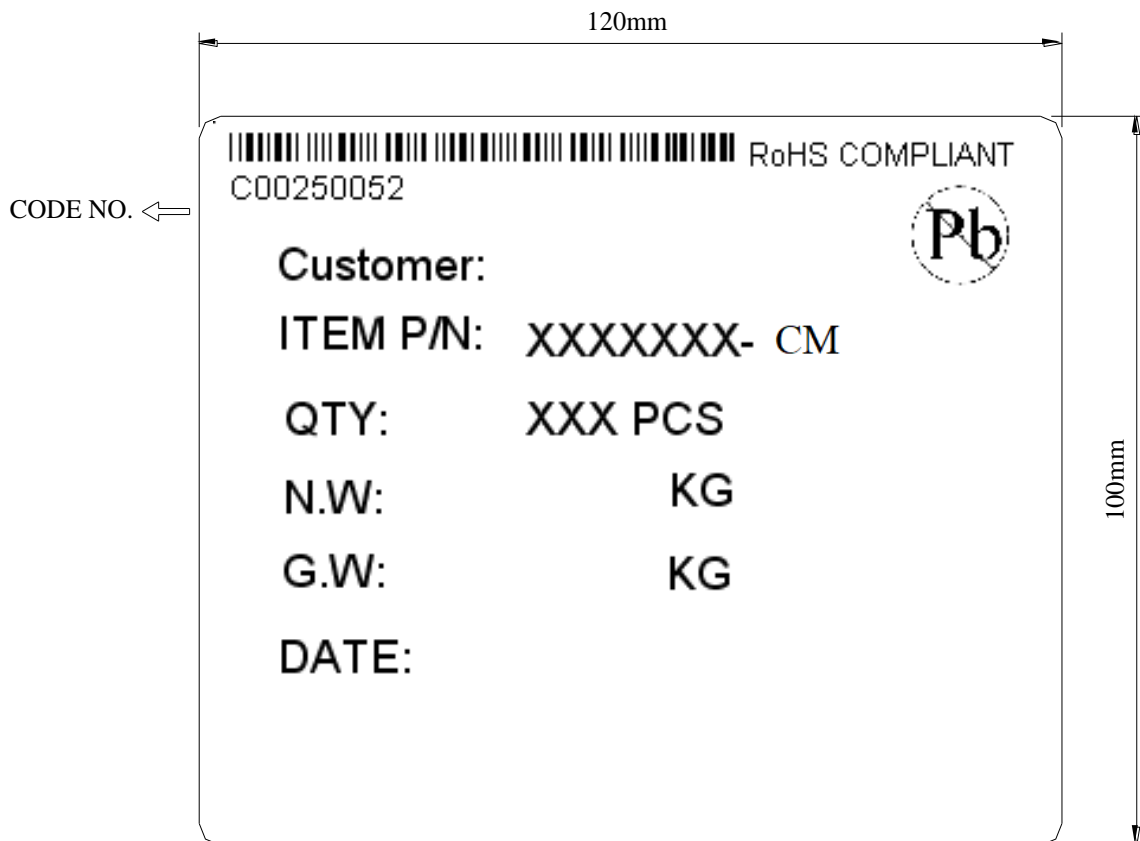


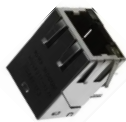
PRODUCT	RJ311106F1074-CM	COIL SPECIFICATION	DATE	2021/9/9
SPEC.NO.	C-7711-041(00)		CODE NO.	C07711041

TABLE :



INNER BOX LABEL





WURTH 7499210121A alternative

Modular Connector, RJ45 Jack, 1 x 1 (Port), 8P8C,
Through Hole Mount



Part Number: RJ311106F1074-CM

PRODUCT	RJ311106F1074-CM	COIL SPECIFICATION	DATE	2021/9/9
SPEC.NO.	C-7711-041(00)		CODE NO.	C07711041

Cautions and Warnings :

1. All of the components are manufactured, designed, and promoted for applying in general electronics devices, for the specific area such as automotive, medical, military and aerospace except for general electronic devices.
BEC Distribution must be asked for written approval before incorporating the components into these areas.
2. The components that will be used in high-reliability / high level of safety applications should be pre-evaluated by the end customer.
Especially in customer applications in which the malfunction or failure of an electronic component could endanger human life or health.
The customer shall be responsible for evaluating and confirming the product is suitable for use in customer's applications.
3. Customer must be cautioned to verify that data sheets are the updated ones before placing orders. In the individual cases, any trouble or failure of electronic components happens during their long span cannot be eliminated even follow the instruction with existing technology.
4. Washing / Cleaning process may jeopardize the product and cause the defect. Washing agents may harm the long-term functionality of the product
5. The storage period should not be longer than 12 months (In the specific storage environment). The oxidization may happen on the terminals.
Hence all the products shall be used within 12 months after the shipping date. If the time is over 12 months, please check the solderability before use it.
6. Products should not be kept in unsuitable storage conditions, such as areas susceptible to high humidity, high temperatures, dust or corrosion.
7. Don't touch electrodes directly with bare hands as oil secretions may inhibit soldering. Always ensure optimum conditions for soldering.
8. Don't bend the terminals or subject them to excessive stress.
9. Please ensure that all terminals and case lugs are completely fixed with solder onto PCB
10. Ensure the tuning slug or cap is not fixed by solder flux during the production process.
11. Avoid placing coils near the edge of the PCB
12. Don't touch any exposed winding part and avoid coming into contact with the guide of the electrode in automatic mounting
13. The inductor / coil / common mode choke generates heat when current is applied. Please take care of this during the design.
14. Always handle the product with care to prevent the damage.
15. Our specification specifies the quality of the component as a single unit. Please ensure the component is thoroughly evaluated in your application circuit.
Even for customized products, conclusive validation of the component in the circuit can only be carried out by customer.
16. The general testing condition is in the room temperature 25 +/- 5°C and humidity under 65% RH, which is applied to all products.
17. If have any query, please feel free to contact our sales department.