



PAN1012P-CM SERIES~ Radial Power Inductors



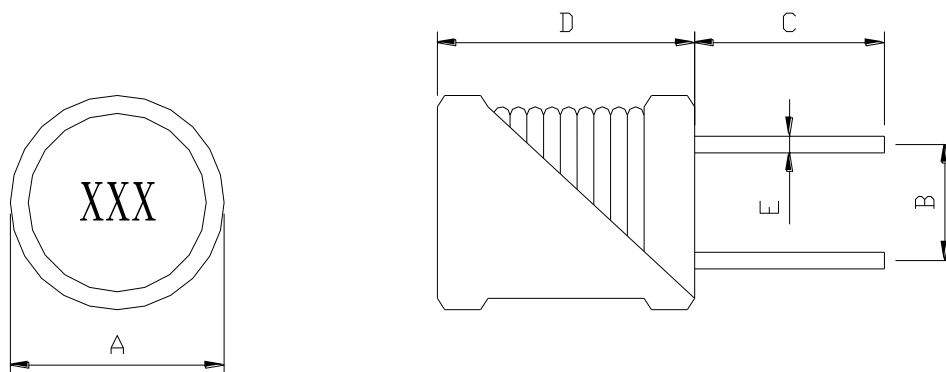
PART NUMBERING SYSTEM

PAN	1012P	—	470K	—	LF
TYPE	DIMENSIONS		INDUCTANCE		LEAD FREE

U : UL Tube ; P : PET Tube

SHAPES AND DIMENSIONS

UNIT : mm



A=11.5 Max. B=5.0±1.0 C=5.0±1.0 D=12.5 Max. E=0.6±0.1

STRUCTURAL DIAGRAM :

	COMPONENT	MATERIALS
	1.Core	Ferrite core
	2.Wire	Polyurethane enameled copper wires
	3.Lead wire	Tinned copper wires
	4.Tube	Heat shrinkable tube, PET or UL
5.Glue	Epoxy resin	

PAN1012P-CM SERIES~ Radial Power Inductors



SPECIFICATION TABLE

PART NUMBER	INDUCTANCE (μ H)	Q (min)	DCR (Ω) (max)	IDC (A) (max)	SRF(MHz) (min)	TEST FREQ. (f)
PAN1012-1R0M-LF	1.0	15	0.058	14	144	1KHz
PAN1012-2R2M-LF	2.2	15	0.073	10	70	1KHz
PAN1012-3R3M-LF	3.3	10	0.010	8.8	36	1KHz
PAN1012-4R7M-LF	4.7	10	0.015	7.2	28	1KHz
PAN1012-6R8M-LF	6.8	10	0.016	6.1	18	1KHz
PAN1012-100M-LF	10	20	0.025	5.0	16	1KHz
PAN1012-150M-LF	15	20	0.029	4.2	12	1KHz
PAN1012-220K-LF	22	20	0.040	3.4	9.5	1KHz
PAN1012-330K-LF	33	30	0.062	2.8	7.0	1KHz
PAN1012-470K-LF	47	30	0.075	2.3	5.8	1KHz
PAN1012-680K-LF	68	20	0.13	1.9	4.7	1KHz
PAN1012-101K-LF	100	20	0.16	1.6	3.8	1KHz
PAN1012-151K-LF	150	20	0.26	1.3	3.1	1KHz
PAN012-221K-LF	220	20	0.33	1.1	2.5	1KHz
PAN1012-331K-LF	330	20	0.52	0.88	2.0	1KHz
PAN1012-471K-LF	470	10	0.66	0.75	1.6	1KHz
PAN1012-681K-LF	680	10	1.1	0.61	1.3	1KHz
PAN1012-102J-LF	1000	20	1.4	0.51	1.1	1KHz
PAN1012-152J-LF	1500	30	2.4	0.43	0.82	1KHz
PAN1012-222J-LF	2200	20	3.2	0.35	0.76	1KHz
PAN1012-332J-LF	3300	30	4.9	0.28	0.64	1KHz
PAN1012-472J-LF	4700	30	7.6	0.24	0.54	1KHz
PAN1012-682J-LF	6800	30	9.8	0.20	0.45	1KHz
PAN1012-103J-LF	10000	30	18	0.17	0.38	1KHz
PAN1012-153J-LF	15000	50	24	0.13	0.29	1KHz

* Inductance Tolerance: J=5% ; K=10% ; M=20%.

* Current to cause 10% Max. inductance drop.

* Operating temperature range -40°C to +85°C , Electronical specifications at 25°C