

# Schematic :

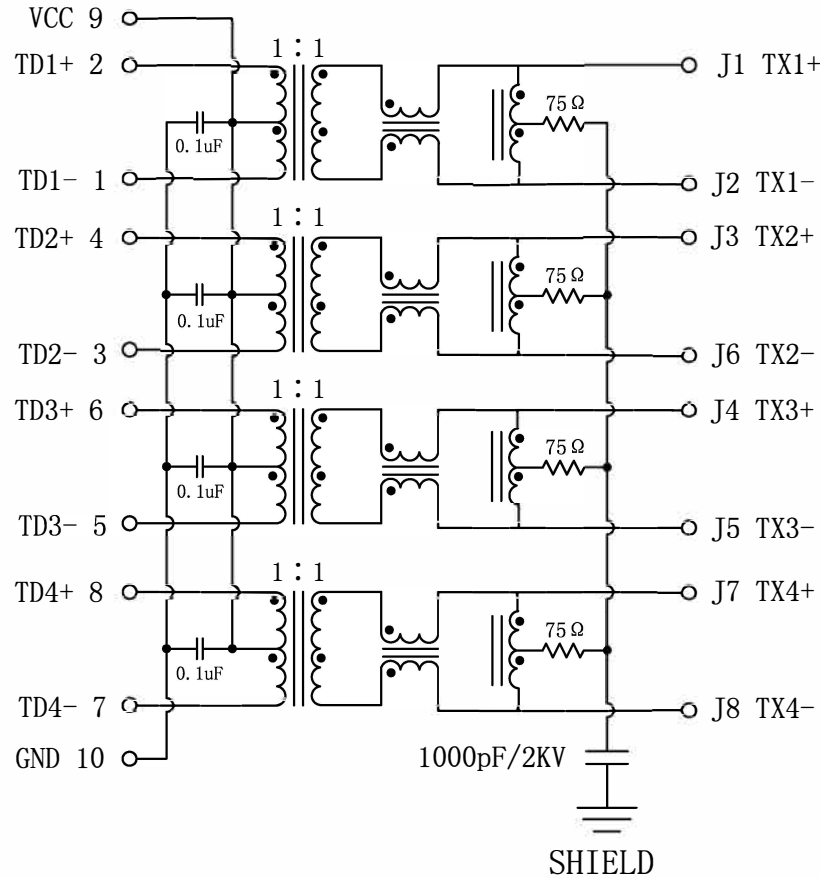
REV.	ECN NO.	DESCRIPTION	DATE	APPD
A	REL	TRP 1-6610005-5 alternative	2011/06/13	

## Modular Connectors / Ethernet Connectors RJ45 Connector



Images are for reference only

PCB CONNECTIONS



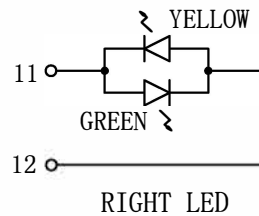
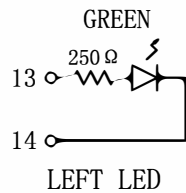
RJ45 CONNECTOR

### Electrical Specifications @25°C

1. OCL: 350uH MIN  
@100KHz, 0.1V, 8mA DC BIAS
2. Turns Ratios: 1CT : 1
3. Insertion Loss:  
0.5~100MHz:-1.1dB MAX
4. Return Loss:  
0.5~40MHz:-18dB MIN  
40.1~100MHz:-12-20LOG(f/80) dB MIN.
5. Crosstalk:  
0.5~40MHz:-35dB MIN  
40.1~100MHz:-33-20LOG(f/50) dB MIN.
6. Common Mode Rejection Ratio:  
0.5~100MHz:-30dB MIN
7. Hipot Test: 1500Vrms MIN
8. Operating Temperature: 0°C TO +70°C.



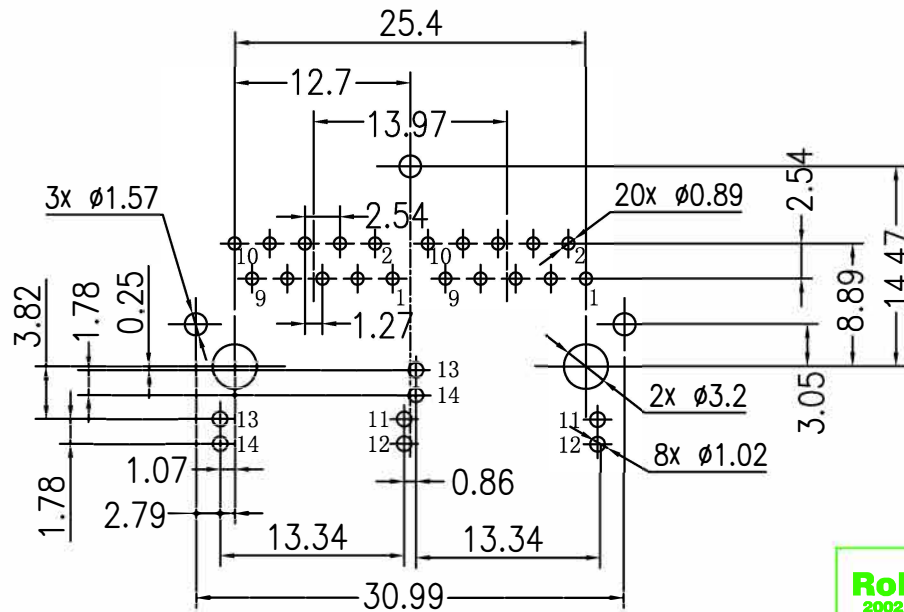
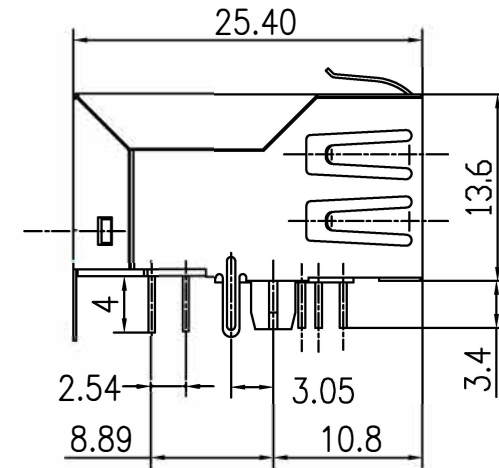
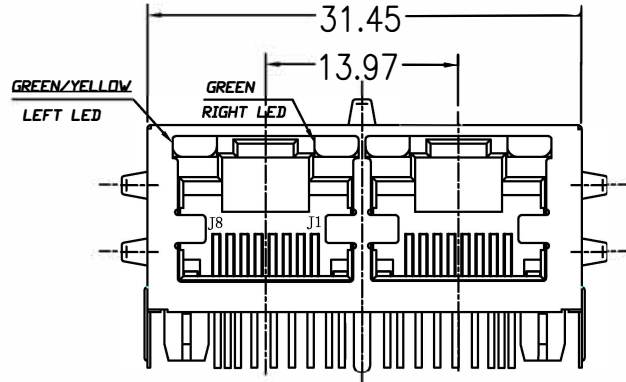
www.bec.co.uk



X:X	±0.20	APPD:	BEC Distribution Limited	
X:XX	±0.10	CHKD:	TITLE: RJ45 Connector With 1000 Base-TX Integrated Magnetic TAB UP	
X:XXX	±0.05	DR: TOM		
ANGLES	±1°	UNIT: mm	PART NO. : BCE28831A115NL	
	SCALE: 2/1	SHEET: 1/2	REV: A	DWG: LP11061322

# Mechanical :

REV.	ECN NO.	DESCRIPTION	DATE	APPD
A	REL	TRP 1-6610005-5 alternative	2011/06/13	



SUGGESTED PCB LAYOUT (TOP VIEW)



## NOTES:

1. Designed to support application, such as SOHO (ADSL modems), LAN-on-Motherboard (LOM), hub and Switches.
2. Meets IEEE 802.3 specification
3. Connector Materials:  
 Housing: Thermoplastic UL94V-0  
 Contact/Shield: Copper alloy  
 Shield plating: Nickel  
 Contact plating: Gold 6 micro-inches min. In contact area.
4. Wave solder tip temperature: 265°C Max  
 Wave solder tip temperature time: 5 Sec Max

X:X	$\pm 0.20$	APPD:	BEC Distribution Limited	
X:XX	$\pm 0.10$	CHKD:	TITLE: RJ45 Connector With 1000 Base-TX Integrated Magnetic TAB UP	
X:XXX	$\pm 0.05$	DR: TOM	PART NO. : BCE28831A115NL	
ANGLES	$\pm 1^\circ$	UNIT: mm		
	SCALE: 2/1	SHEET: 2/2	REV: A	DWG: LP11061322