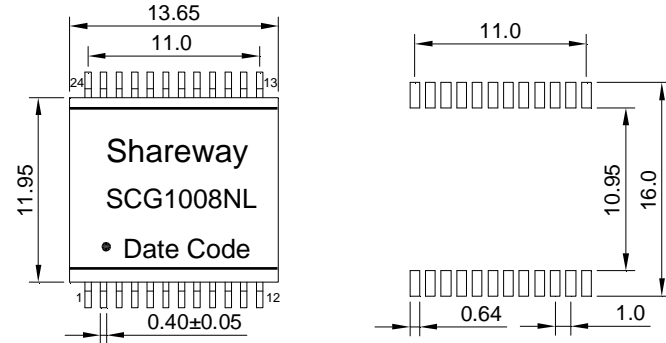
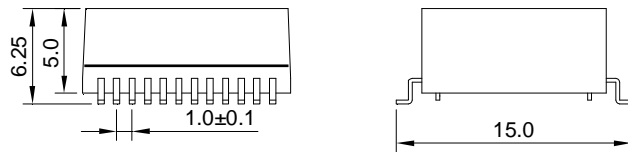


REV.	DESCRIPTION	DATE	DWN	AP'PD

## 一、Mechanicals Dimensions

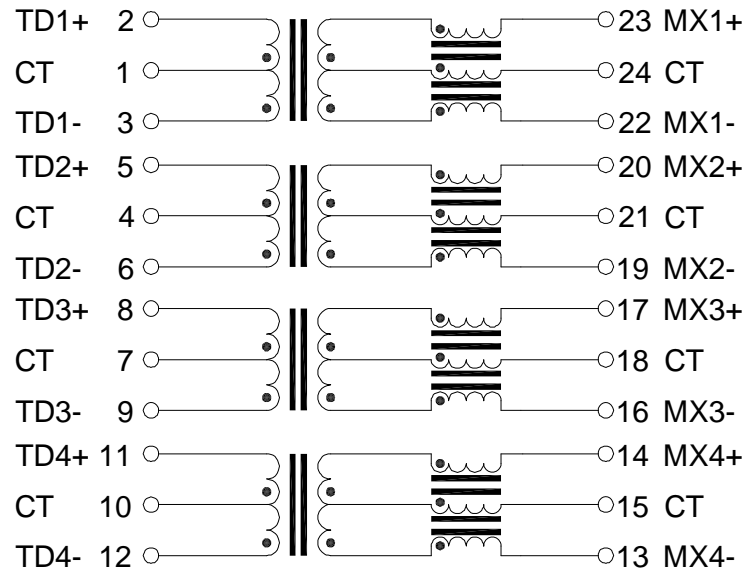


SUGGESTED PAD LAYOUT



UNIT: mm Unless otherwise specified, all tolerances are ±0.25

## 二、Schematics



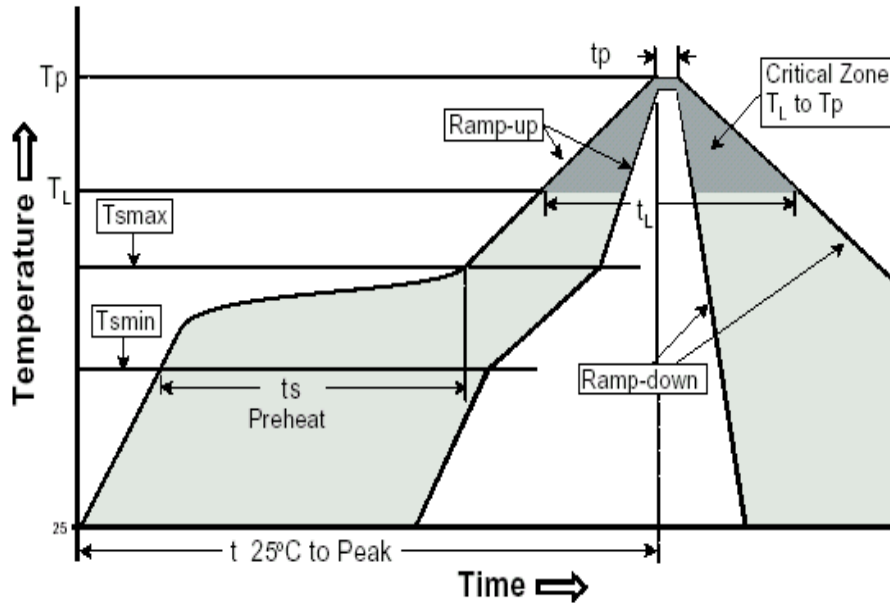
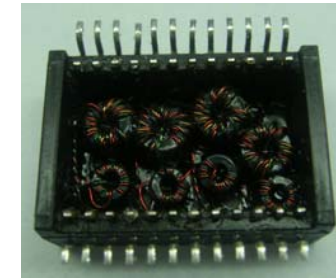
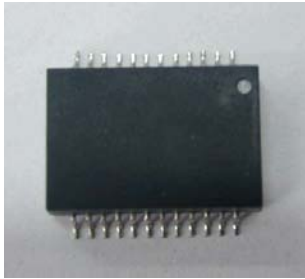
## 三、ELECTRICAL SPECIFICATIONS@25°C:

1. Turn Ratio(±3%) 1CT:1CT
2. Insertion Loss(dB TYP): -3.0dB(0.1MHz),-1.0dB(1-500MHz)
3. Return Loss(dB MIN): -18dB(1-40MHz),-17+10log(f/40MHz)dB(40-500MHz)
4. Cross talk(dB TYP): -40dB(1-100MHz),-30dB(100-500MHz)
5. CDMR(dB TYP): -30dB(1-250MHz), -22dB(250-500MHz)
6. HI-POT: 1500Vrms/0.5mA/60Sec or 1650Vrms/0.5mA/2Sec
7. Operating Temperature Range: 0°C TO +70°C
8. Storage Temperature Range: -40°C TO +85°C
9. RoHS compliance: YES
10. Support 100W POH , Max working electric current is 500mA

	SHAREWAY TECHNOLOGY CO., LTD			
	TITLE	10G BASE-T MAGANETIC MODULE		
	P/N	SCG1008NL	REV.	1.1
	PAGE NO	1/3	DATE	2013/5/22
	AP'PD	C.W.X	DWN	Wayne

四、 Our RoHS parts just can withstand IR Reflow peak temperature: 245degC+/-5degC as the following profile:

REV.	DESCRIPTION	DATE	DWN	AP'PD



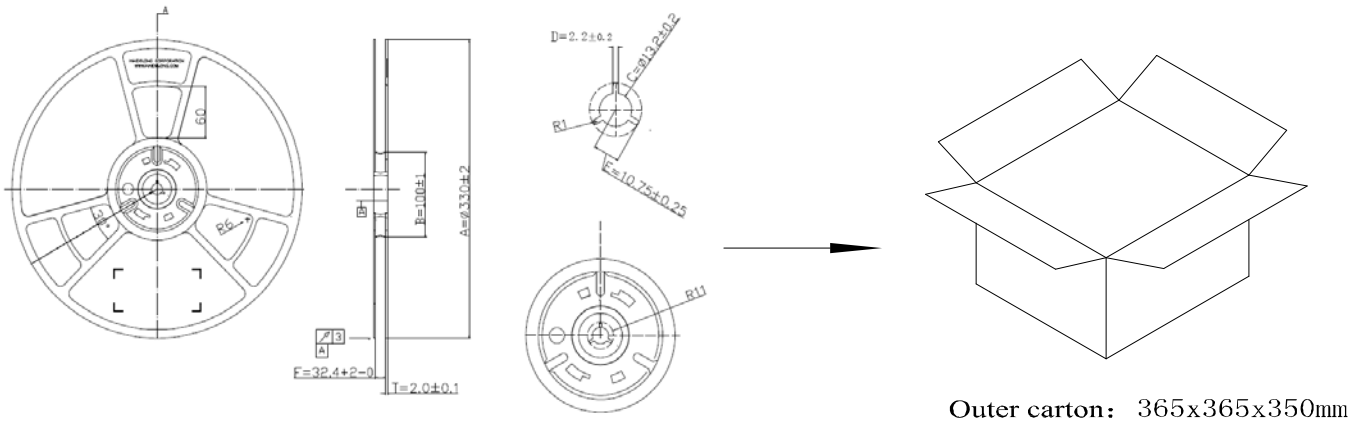
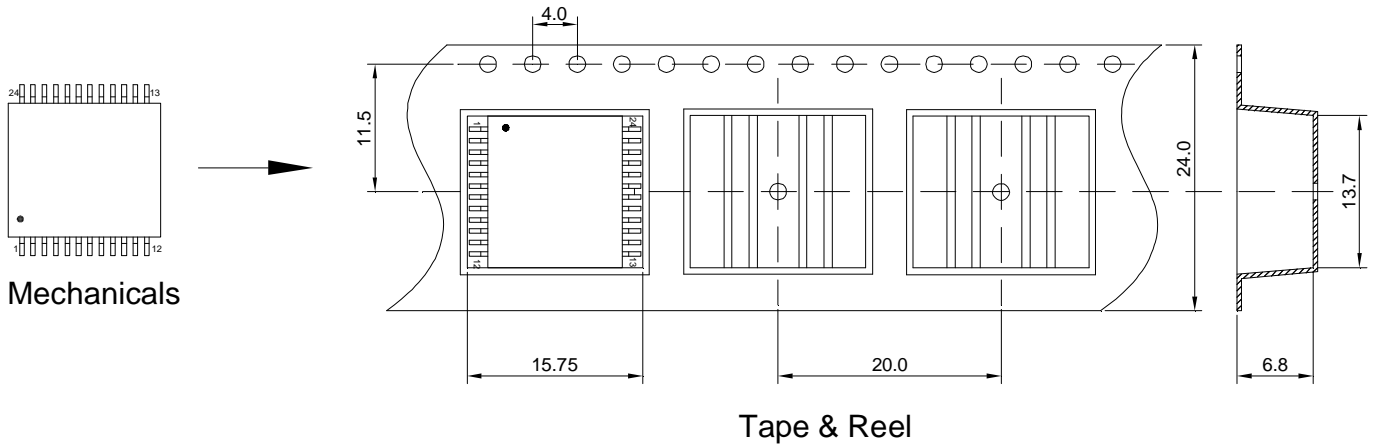
Profile Feature	Pb-Free Assembly
Average Ramp-Up Rate ( $T_{s_{max}}$ to $T_p$ )	3°C /second max.
<b>Preheat</b> -Temperature Min ( $T_{s_{min}}$ ) -Temperature Max ( $T_{s_{max}}$ ) -Time ( $t_{s_{min}}$ to $t_{s_{max}}$ )	150°C 200°C 60-180 seconds
<b>Time maintained above:</b> -Temperature ( $T_L$ ) -Time ( $t_L$ )	217°C 60-150 seconds
Peak/Classification Temperature ( $T_p$ )	245±5°C
Time within 5°C of actual Peak Temperature ( $t_p$ )	20-40 seconds
Ramp-Down Rate	6°C/seconds max
Time 25°C to Peak Temperature	6minutes max.

SHAREWAY TECHNOLOGY CO., LTD			
	TITLE	10G BASE-T MAGANETIC MODULE	
	P/N	SCG1008NL	REV. 1.1
	PAGE NO	2/3	DATE 2013/5/22
	AP'PD	C.W.X	DWN Wayne

# 五、 Packing Information:

REV.	DESCRIPTION	DATE	DWN	AP'PD

- 1.Weight-----1.4 grams/pcs
- 2.Tape & Reel----- 400 pcs
- 3. outer carton unit: 4000pcs/box
- 4. outer carton unit: 10T&R/box
- 5.Weight: 11.5kg per carton



<p><b>RoHS</b> Compliant</p>	<b>SHAREWAY TECHNOLOGY CO., LTD</b>			
	<b>TITLE</b>	<b>10G BASE-T MAGANETIC MODULE</b>		
	<b>P/N</b>	SCG1008NL	<b>REV.</b>	1.1
	<b>PAGE NO</b>	3/3	<b>DATE</b>	2013/5/22
	<b>AP'PD</b>	C.W.X	<b>DWN</b>	Wayne