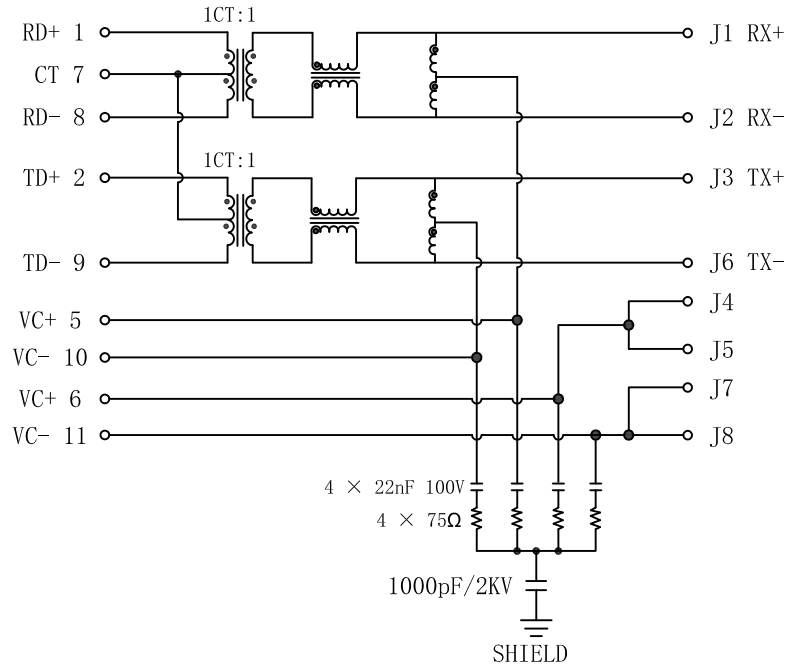


Schematic:

REV.	ECN NO.	DESCRIPTION	DATE	APPD
A	REL		2016-05-17	

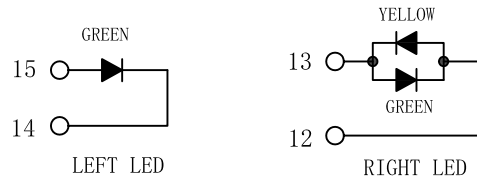
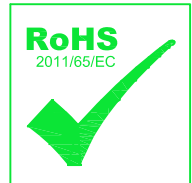
PC BOARD CONNECTIONS



RJ45 CONNECTOR

Electrical Specifications @25°C

1. OCL: 350uH Min
@100KHz, 100mV, 8mA bias current.
2. Turns Ratio(±2%):
TX=1CT:1 RX=1CT:1
3. Insertion Loss:
0.1-100MHz:-1.5dB Max
4. Return Loss:
2-30MHz:-16 Min
60-80MHz:-10 Min
5. Crosstalk:
0.1-100MHz:-30dB Min
6. Balanced DC Line Current:
350mA Max @ 57 VDC Continuous
500mA Max @ 57 VDC For 200 Millseconds
7. Hipot: 1500Vrms
8. Operating Temperature: 0°C~70°C.



Emitting Color	λ p(nm)	VF@IF=20mA	IR @VR=5V
GREEN	565	1.8~2.4V	10 μ A max
YELLOW	585	1.8~2.4V	10 μ A max

X:X ±0.25	APPD:	LINK-PP INT'L TECHNOLOGY CO., LIMITED
X:XX ±0.20	CHKD:	
X:XXX ±0.05	DR: TOM	TITLE: RJ45 Connector with 10/100 Base-T Integrated Magnetics For PoE Application
ANGLES ±1°	UNIT: mm	PART NO.: LPJK1014A8NL
	SCALE: 2/1	SHEET: 1/2
	REV: A	DWG NO.: LP16051712

