

## AQ Series • High Accuracy - High Current - High O/P Voltage Current Transformers

### Features

- High Accuracy, High Current, High Output Voltage Current Transformers
- 0.1-0.2% Accuracy Typical
- Excellent Linearity over rated current range
- 2.5kV Isolation
- Frequency 50-60Hz
- All materials UL94V-0
- Manufactured in an ISO 9001:2015 and ISO 14001:2015 certified Talema facility
- Fully RoHS & REACH Compliant



### Applications:

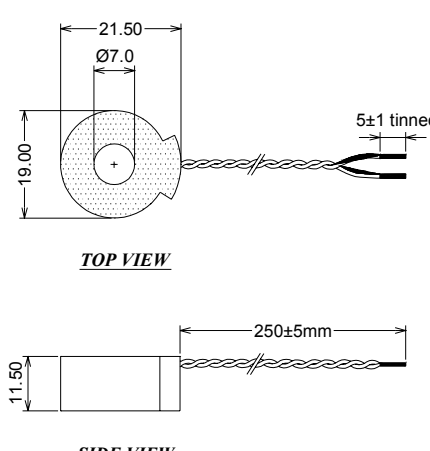
- Instrumentation
- Energy Meters
- EV Charging

### Electrical Specifications at 20°C

Part Number	Rated Current (Amps)	Turns	Burden Resistance (Ohms)	Output Voltage (Volts)	Max. Current (Amps)	DCR (Ohms)	Mounting
AQ-1020-FL	20	1000	15	0.30	40	78	Flying Leads
AQ-1020	20	1000	15	0.30	40	24	PCB
AQ-2532	32	2500	25	0.32	50	130	PCB
AQ-2563	63	2500	33	0.83	75	85	PCB
AQ-25125	125	2500	50	2.50	150	95	PCB

### Mechanical Drawing

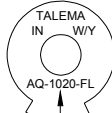
#### AQ-1020-FL

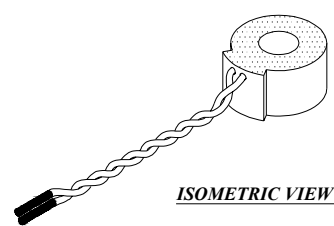


**TOP VIEW**


**SIDE VIEW**

**MARKING**





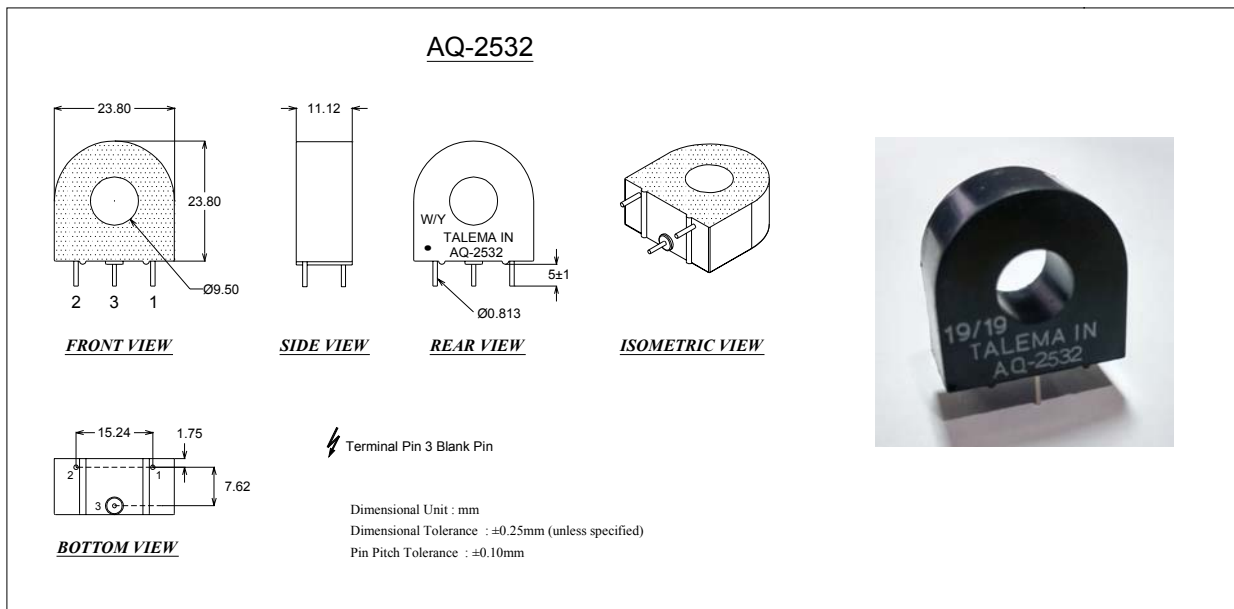
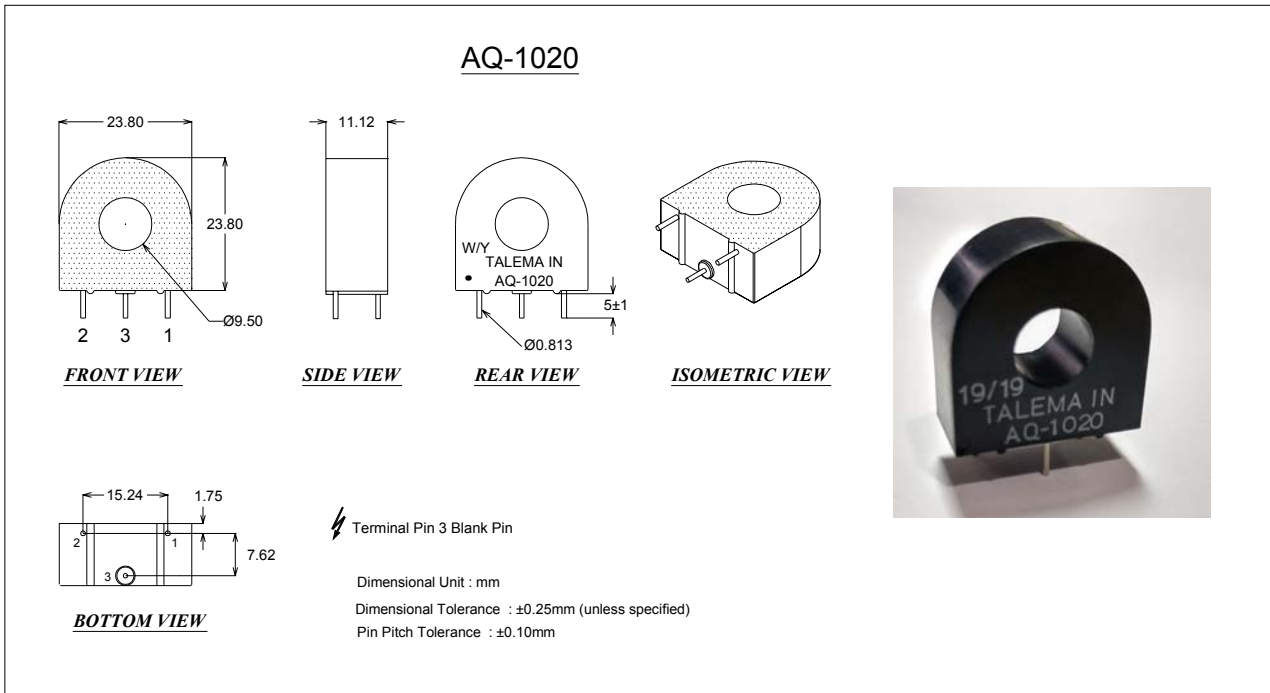
**ISOMETRIC VIEW**



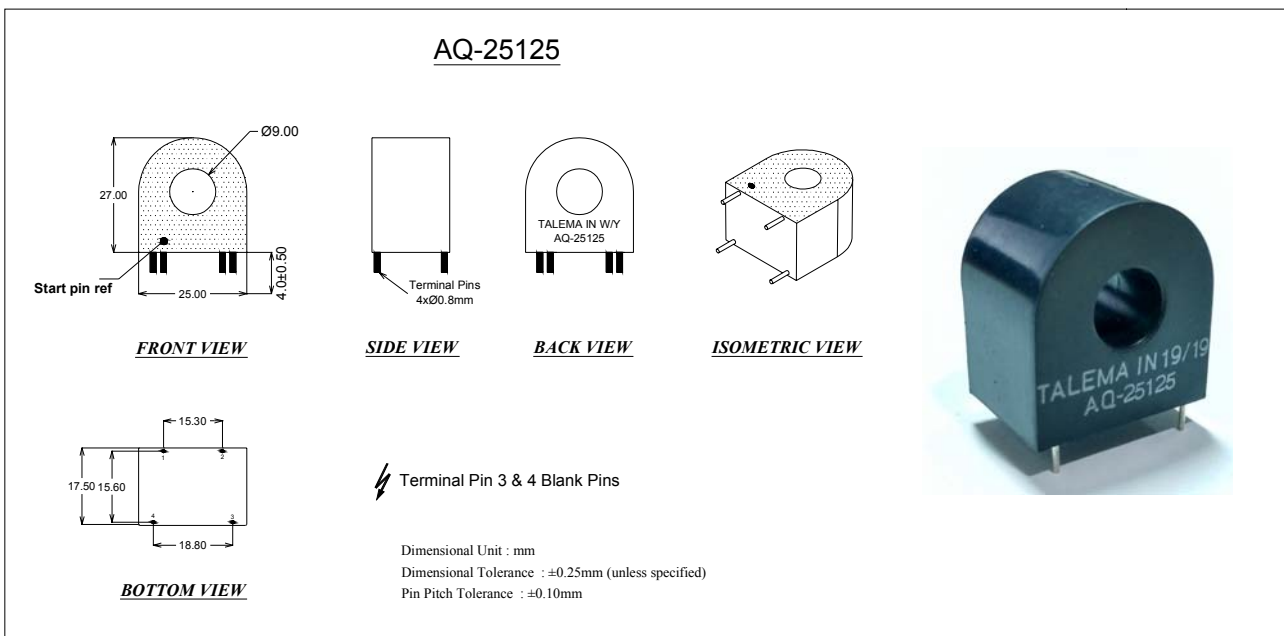
Lead outs : Flex UL1569 AWG24, 300V Rating, 250±5mm long out of trafo with 5±1mm tinned ends

Dimensional Unit : mm  
Dimensional Tolerance : ±0.25mm (unless specified)

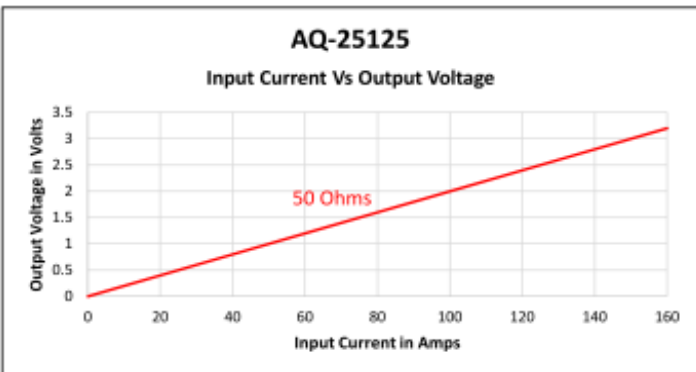
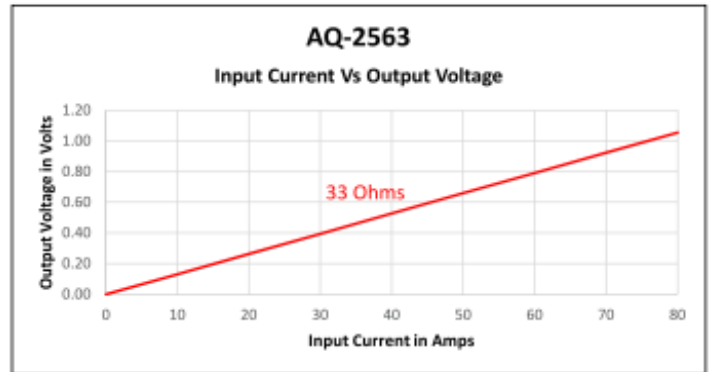
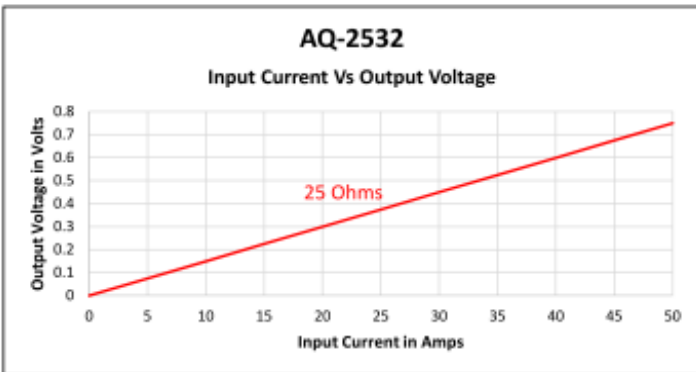
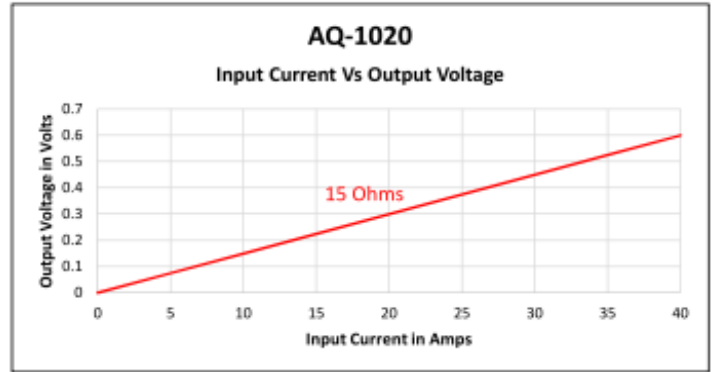
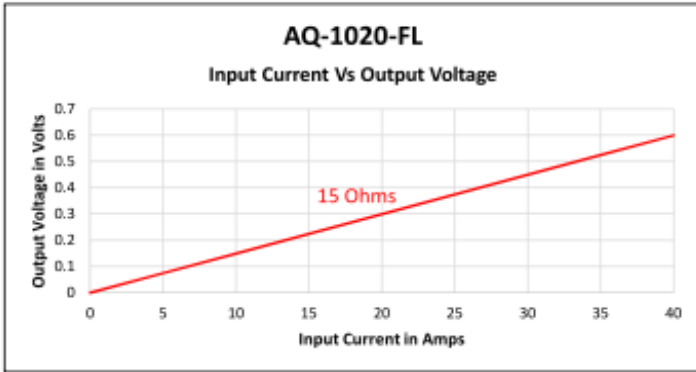
**Mechanical Drawing**



**Mechanical Drawing**



Output Response at Rated Burden



**Regional Locations - Design, Manufacturing, Sales & Marketing**

**Talema Group Regional Offices**

**North America**

**United States  
(Sales & Marketing)**

**Talema Group, LLC**  
 PO Box 935  
 900 Innovation Drive  
 Suite 120, Rolla  
 Missouri 65402  
 Tel: +1 573-303-3675  
 E-Mail:  
[sales@talemagroup.com](mailto:sales@talemagroup.com)  
 Web: [www.talema.com](http://www.talema.com)

**Asia**

**India  
(Design, Manufacturing, Sales & Marketing)**

**Administrative Office**  
**Talema Electronic India Private Limited**  
 Door No. 221, 1st and 2nd Floor  
 KJ Plaza, Opp.to Vidya Mandir School  
 Meyanoor Main Road  
 Salem - 636 004 Tamil Nadu INDIA  
 Tel: +91 427 - 243 3100  
 Fax: +91 427 - 243 3109  
 E-Mail: [talema@talemaindia.net](mailto:talema@talemaindia.net)  
 Web: [www.talema.com](http://www.talema.com)

**Factory Premises**  
**Talema Electronic India Private Limited**  
 Plot Nos. 30, 31 Electrical and Electronic  
 Industrial Estate  
 Suramangalam  
 Salem - 636 005 Tamil Nadu INDIA  
 Tel: +91 427 - 243 3000  
 E-Mail: [talema@talemaindia.net](mailto:talema@talemaindia.net)  
 Web: [www.talema.com](http://www.talema.com)

**Europe**

**Germany  
(Design, Sales & Marketing)**

**Talema Elektronik GmbH**  
 Sembdnerstr. 5  
 82110 Germering  
 Tel: +49 89 - 841 00 - 0  
 Fax: +49 89 - 841 00 25  
 E-Mail: [info@talema.de](mailto:info@talema.de)  
 Web: [www.talema.com](http://www.talema.com)

**Ireland  
(Design, Sales & Marketing)**

**Nuvotem TEO**  
 Units W & X, Gweedore Business Park  
 Derrybeg, Letterkenny, Co. Donegal  
 Tel: +353 (0) 74 95 48666  
 Fax: +353 (0) 74 95 48139  
 E-Mail: [info@nuvotem.com](mailto:info@nuvotem.com)  
 Web: [www.nuvotem.com](http://www.nuvotem.com)

**Czech Republic  
(Design, Manufacturing, Sales & Marketing)**

**NT Magnetics s.r.o.**  
 Chebská 27  
 322 00 Plzeň  
 Tel: +420 377 - 338 351  
 Fax: +420 377 - 338 350  
 E-Mail: [talema@talema.cz](mailto:talema@talema.cz)  
 Web: [www.ntmagnetics.cz](http://www.ntmagnetics.cz)

**Locations of Talema Group Regional Offices**

