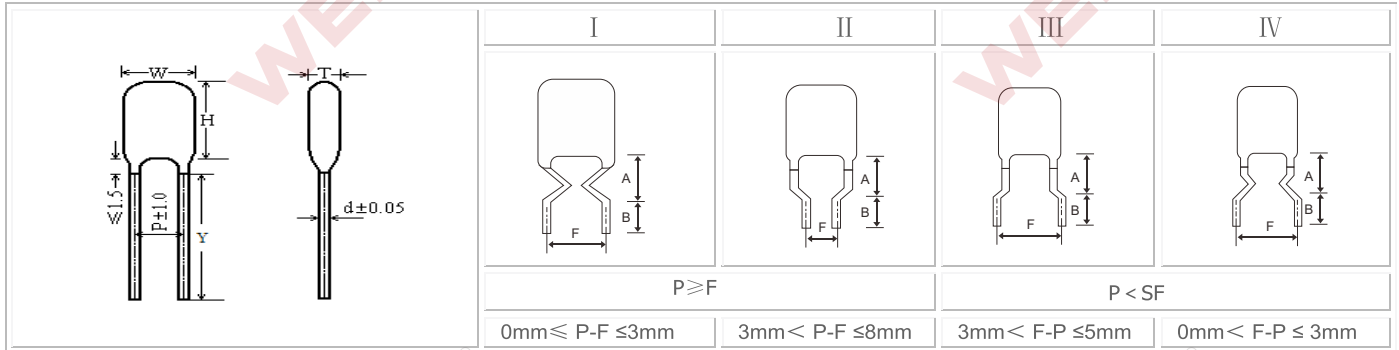


# W12 CBB11 series

有感箔式聚丙烯膜电容器  
polypropylene film/foil capacitor ( inductive )

## 外形图 Outline Drawing



### 特点

- 聚丙烯膜铝箔有感卷绕结构
- 优异的频率和温度特性
- 环氧料真空包封，提高产品的机械强度，耐湿性

### Features

- Film/foil capacitor inductive wound dipped
- Excellent frequency and temperature characteristics
- Epoxy resin vacuum-dipped enhances the mechanical strength, humidity resistance

### 主要用途

- 适用于定时，振荡电路等

### Typical application

- Suitable for timing circuit and oscillation circuit

## 技术要求 Specifications

引用标准 Reference Standard	GB/T 10188 (IEC 60384-13)	
气候类别 Climatic Category	40/105/21	
额定温度 Rated temperature	85°C	
工作温度范围 Operating temperature	-40°C~105°C (+85°C to +105°C: decreasing factor 1.25% per °C for VR(dc))	
额定电压 Rated Voltage	50/63V , 100V	
电容量范围 Capacitance Range	0.0010 ~ 0.1μF	
电容量偏差 Capacitance Tolerance	±2%(G), ±5%(J), ±10% (K)	
耐电压 Voltage Proof	2.0UR (5s)	
损耗角正切 Dissipation Factor	≤10×10 <sup>-4</sup> (20°C, 1kHz)	
绝缘电阻 Insulation Resistance	≥50 000MΩ, CR ≤0.1μF	(20°C, 100V, 1min)

# W12 CBB11 series

## 产品代码说明 Part number system

■ 18 位产品代码说明如下：

The 18 digits part number is formed as follow:



### W 1 2

第 1~3 位：型号代码

W12=CBB11

第 4~5 位：直流额定电压

1H=50V 1J=63V 2A=100V

第 6~8 位：标称容量

举例：103 =  $10 \times 10^3$  PF = 0.01 $\mu$ f

第 9 位：容量偏差

G=±2%, J=±5%, K=±10%

第 10 位：引线脚距

0 代表所有脚距

第 11 位：引线线径

5= CP 0.5mm

第 12 位：引线加工和包装代码

L= 直脚 K= 引线成型

T= 弹带包装

第 13~18 位：内部特征码

Digit 1 to 3: Series code

W12=CBB11

Digit 4 to 5: DC rated voltage

1H=50V 1J=63V 2A=100V

Digit 6 to 8: Rated capacitance

For example: 103 =  $10 \times 10^3$  PF = 0.01 $\mu$ f

Digit 9: Capacitance tolerance

G=±2%, J=±5%, K=±10%

Digit 10: Pitch

0 代表所有脚距

Digit 11: Lead Wire diameter

5= CP 0.5mm

Digit 12: Lead form and packaging code

L= straight lead K= Lead kinked

T= ammo-pack

Digit 13 to 18: Internal use

# W12 CBB11 series

## ■ 外形尺寸 Dimensions (mm)

50/63/100Vdc <sup>#</sup>						
Cn ( $\mu$ F)	W max	H max	T max	P	d	Part number
0.0010	6.5	11.5	4.0	3.5	0.5	W122A102-05*****
0.0012	6.5	11.5	4.0	3.5	0.5	W122A122-05*****
0.0015	6.5	11.5	4.0	3.5	0.5	W122A152-05*****
0.0018	6.5	11.5	4.0	3.5	0.5	W122A182-05*****
0.0022	6.5	11.5	4.5	3.5	0.5	W122A222-05*****
0.0027	6.5	11.5	4.5	3.5	0.5	W122A272-05*****
0.0033	6.5	11.5	4.5	3.5	0.5	W122A332-05*****
0.0039	7.0	11.5	4.5	4.0	0.5	W122A392-05*****
0.0047	7.0	11.5	4.5	4.0	0.5	W122A472-05*****
0.0056	7.0	11.5	5.0	4.0	0.5	W122A562-05*****
0.0068	7.0	11.5	5.0	4.0	0.5	W122A682-05*****
0.0082	8.0	11.5	5.0	4.5	0.5	W122A822-05*****
0.010	8.0	11.5	5.0	4.5	0.5	W122A103-05*****

50/63/100Vdc <sup>#</sup>						
Cn ( $\mu$ F)	W max	H max	T max	P	d	Part number
0.012	8.0	12.0	5.0	4.5	0.5	W122A123-05*****
0.015	8.0	12.5	5.0	5.0	0.5	W122A153-05*****
0.018	8.5	12.5	5.0	5.0	0.5	W122A183-05*****
0.022	8.5	12.5	5.0	5.0	0.5	W122A223-05*****
0.027	9.0	13.0	5.5	5.5	0.5	W122A273-05*****
0.033	9.0	13.0	5.5	5.5	0.5	W122A333-05*****
0.039	10.0	14.0	6.0	6.0	0.5	W122A393-05*****
0.047	10.0	14.0	6.0	6.5	0.5	W122A473-05*****
0.056	11.0	14.0	6.5	7.0	0.5	W122A563-05*****
0.068	11.5	16.0	6.5	7.0	0.5	W122A683-05*****
0.082	12.0	16.0	7.5	8.0	0.5	W122A823-05*****
0.10	12.0	16.0	7.5	8.0	0.5	W122A104-05*****

备注：1. “-”表示容量偏差。“-”=capacitance tolerance code, K=±10%,J=±5%,G=±2%

2. 第12位表示引线加工和包装代码, L=直脚 straight lead K=引线成型 Lead kinked T=弹带包装 ammo-pack

3. “#”当额定电压是50Vdc时,第4~5位代码是1H。“#”when the rated voltage is 50Vdc, the digit 4~5 is 1H.

5. “#”当额定电压是63Vdc时,第4~5位代码是1J。“#”when the rated voltage is 63Vdc, the digit 4~5 is 1J.