



Coilmaster Electronics Co., Ltd.

9F-3 No.398, Huan Bei Rd. Chung Li City, Taoyuan 320, Taiwan
Tel : +886-3-422-8279 Fax : +886-3-422-8734

E-mail : info@coilmaster.com.tw

Web Site : www.coilmaster.com.tw

SSB5212 SERIES – Low Profile SMD Power Inductors



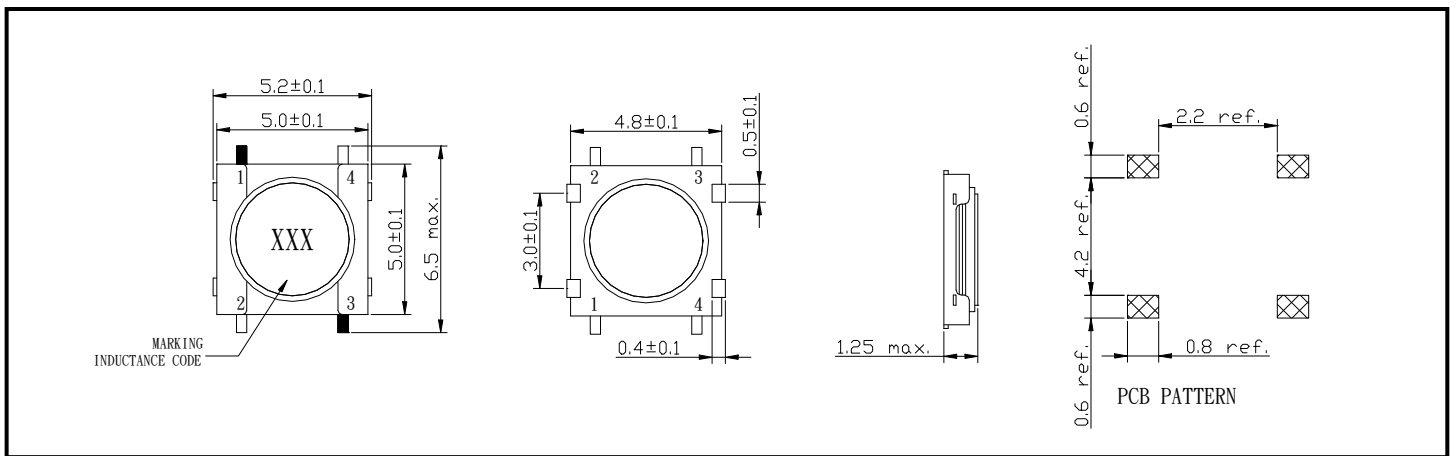
RoHS Compliant

PART NUMBERING SYSTEM

SSB	5212	—	100M	—	LF
TYPE	DIMENSIONS		INDUCTANCE		LEAD FREE

SHAPES AND DIMENSIONS

UNIT : mm



SPECIFICATION TABLE

PART NUMBER	INDUCTANCE (μ H)	DCR (Ω) (max)	IDC (A) (max)	TEST FREQ. (f)
SSB5212-2R2M-LF	2.2±20%	0.18	1.97	100KHz
SSB5212-3R3M-LF	3.3±20%	0.22	1.82	100KHz
SSB5212-4R7M-LF	4.7±20%	0.27	1.54	100KHz
SSB5212-6R8M-LF	6.8±20%	0.37	1.30	100KHz
SSB5212-100M-LF	10±20%	0.48	1.10	100KHz
SSB5212-150M-LF	15±20%	0.62	0.95	100KHz
SSB5212-220M-LF	22±20%	1.00	0.77	100KHz
SSB5212-330M-LF	33±20%	1.40	0.60	100KHz
SSB5212-470M-LF	47±20%	2.16	0.51	100KHz

1. Operating temperature range : -40°C to + 125 °C .
2. Test equivalent : HP4284A LCR meter or equivalent .
3. Electrical specifications at 25 °C .



Coilmaster Electronics Co., Ltd.
 9F-3 No.398, Huan Bei Rd. Chung Li City, Taoyuan 320, Taiwan
 Tel : +886-3-422-8279 Fax : +886-3-422-8734

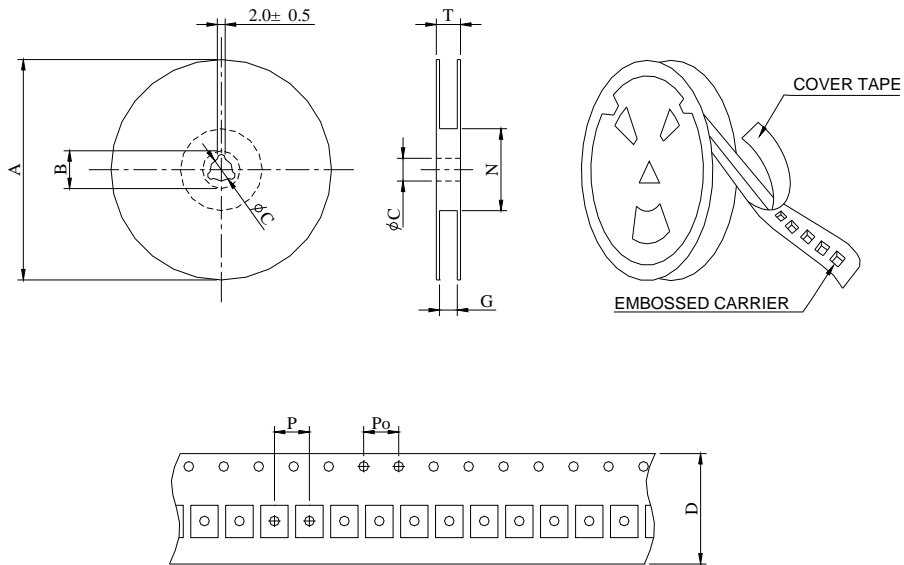
E-mail : info@coilmaster.com.tw
 Web Site : www.coilmaster.com.tw

SSB5212 SERIES – Low Profile SMD Power Inductors



RoHS Compliant

PACKAGING SPECIFICATION



SERIES	STAYLE	Q' TY (PCS)	DIMENSIONS (m/m)								
			A	B±0.8	C±0.5	D	G ⁺⁰	N ⁻⁰	P	Po	T
SSB5212	13-16	3000	330	21	13	16	18	50	8	4	22.4