



SSB5010D SERIES

Low Profile Power Inductors



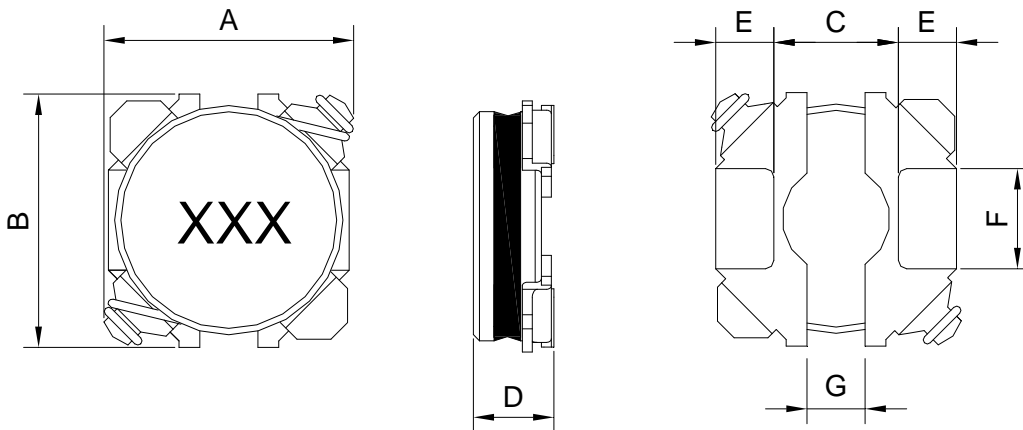
RoHS Compliant

PART NUMBERING SYSTEM

SSB	5010D	—	220M	—	LF
TYPE	DIMENSIONS		INDUCTANCE		LEAD FREE

SHAPES AND DIMENSIONS

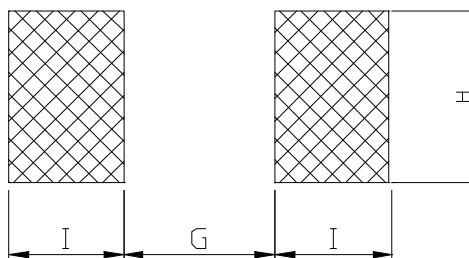
UNIT : mm



A=5.1 Max. B=5.1 Max. D=1.0 Max.

RECOMMENDED PATTERNS

UNIT : mm



G=1.4 H=5.4 I=2.0



SSB5010D SERIES

Low Profile Shielded Power Inductors



RoHS Compliant

ELECTRICAL CHARACTERISTICS :

PART NUMBER	INDUCTANCE (μ H)	DCR (Ω) Max.(Typ.)	Isat (A) (Max.)	Irms (A) (Max.)	Stamp
SSB5010D-1R0N-LF	1.0 \pm 30%	64.8m(54m)	1.80	2.00	1R0
SSB5010D-1R5N-LF	1.5 \pm 30%	80.40m(67m)	1.50	1.80	1R5
SSB5010D-2R2N-LF	2.2 \pm 30%	97.2m(81m)	1.20	1.70	2R2
SSB5010D-3R3N-LF	3.3 \pm 30%	0.116(96m)	1.05	1.60	3R3
SSB5010D-4R7M-LF	4.7 \pm 20%	0.168(0.14)	0.80	1.35	4R7
SSB5010D-6R8N-LF	6.8 \pm 20%	0.216(0.18)	0.70	1.20	6R8
SSB5010D-100M-LF	10 \pm 20%	0.264(0.22)	0.65	1.10	100
SSB5010D-150M-LF	15 \pm 20%	0.372(0.31)	0.53	0.93	150
SSB5010D-220M-LF	22 \pm 20%	0.540(0.45)	0.47	0.75	220
SSB5010D-330M-LF	33 \pm 20%	0.816(0.68)	0.35	0.57	330
SSB5010D-470M-LF	47 \pm 20%	1.320(1.10)	0.30	0.45	470

- Inductance tested at 100 kHz, 0.1 Vrms, 0 Adc using an Agilent/HP 4284B LCR meter or equivalent.
- Isat : DC current at which the inductance drops 30% (typ) from its value without current.
- I rms: The actual current when temperature of coil becomes Δ 40°C . (Ta=+25°C)
 Operating temperature range -40°C to +125°C , Electrical specifications at 25°C.