



# SSB4018D SERIES

## Low Profile Power Inductors



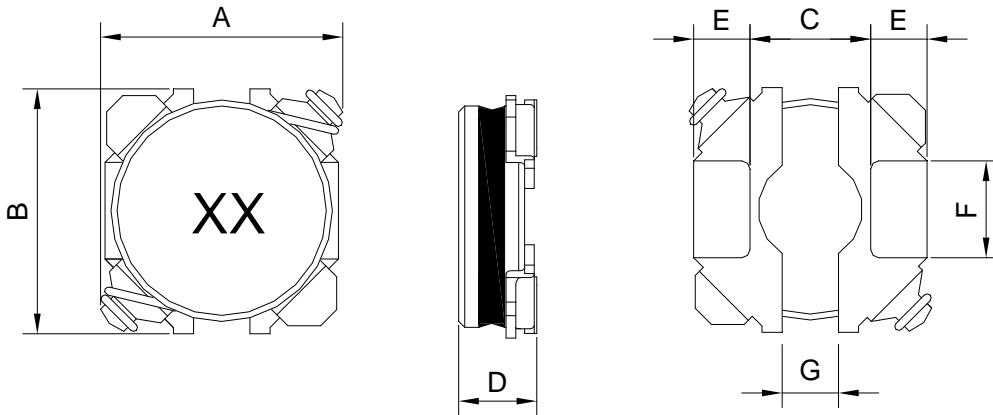
RoHS Compliant

### PART NUMBERING SYSTEM

<b>SSB</b>	<b>4018D</b>	—	<b>100M</b>	—	<b>LF</b>
TYPE	DIMENSIONS		INDUCTANCE		LEAD FREE

### SHAPES AND DIMENSIONS

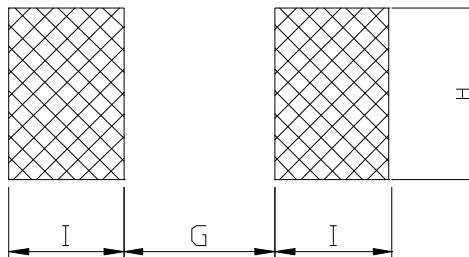
UNIT : mm



**A=4.1 Max. B=4.1 Max. D=1.8 Max.**

### RECOMMENDED PATTERNS

UNIT : mm



**G=1.0 H=4.3 I=1.6**



**Coilmaster Electronics Co., Ltd.**  
9F-3 No.398, Huan Bei Rd. Chung Li City, Taoyuan 320, Taiwan  
Tel : +886-3-422-8279 Fax : +886-3-422-8734

E-mail : [info@coilmaster.com.tw](mailto:info@coilmaster.com.tw)  
Web Site : [www.coilmaster.com.tw](http://www.coilmaster.com.tw)

## SSB4018D SERIES

### Low Profile Shielded Power Inductors



RoHS Compliant

#### ELECTRICAL CHARACTERISTICS :

PART NUMBER	INDUCTANCE ( $\mu$ H)	DCR ( $\Omega$ ) Max.(Typ.)	Isat (A) ( Max. )	Irms (A) ( Max. )	Stamp
SSB4018D-1R0N-LF	1.0 $\pm$ 30%	60.0m(50m)	4.70	1.85	3A
SSB4018D-1R5N-LF	1.5 $\pm$ 30%	72.0m(60m)	3.70	1.70	3C
SSB4018D-1R8N-LF	1.8 $\pm$ 30%	78.0m(65m)	3.40	1.65	3D
SSB4018D-2R2N-LF	2.2 $\pm$ 30%	88.8m(74m)	3.20	1.60	3E
SSB4018D-3R3N-LF	3.3 $\pm$ 30%	0.117(97m)	2.70	1.45	3G
SSB4018D-4R7M-LF	4.7 $\pm$ 20%	0.144(0.12)	2.20	1.30	3I
SSB4018D-6R8N-LF	6.8 $\pm$ 20%	0.204(0.17)	1.80	1.15	3K
SSB4018D-100M-LF	10 $\pm$ 20%	0.288(0.24)	1.50	1.00	3M
SSB4018D-101M-LF	100 $\pm$ 20%	2.604(2.17)	0.45	0.28	3Y

- Inductance tested at 100 kHz, 0.1 Vrms, 0 Adc using an Agilent/HP 4284B LCR meter or equivalent.
- Isat : DC current at which the inductance drops 30% (typ) from its value without current.
- Irms: The actual current when temperature of coil becomes  $\Delta 40^{\circ}\text{C}$  . ( Ta=+25 $^{\circ}\text{C}$  )  
Operating temperature range -40 $^{\circ}\text{C}$  to +125 $^{\circ}\text{C}$  , Electrical specifications at 25 $^{\circ}\text{C}$ .