



# SSB4012D SERIES

## Low Profile Power Inductors



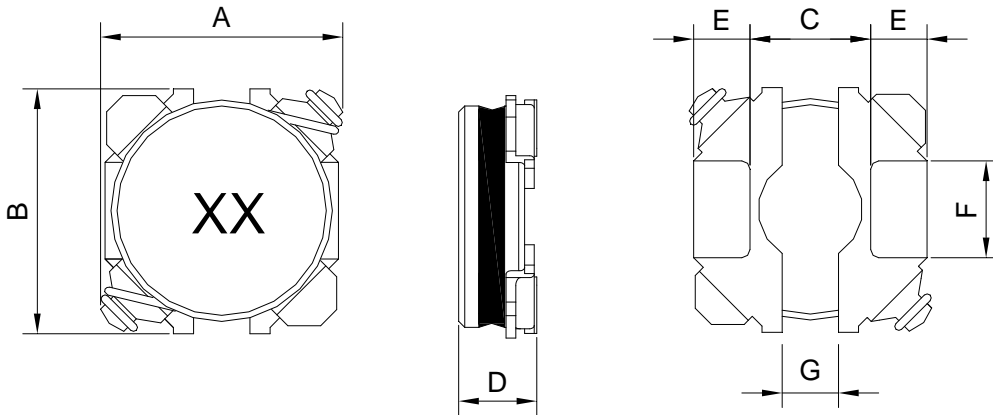
RoHS Compliant

### PART NUMBERING SYSTEM

<b>SSB</b>	<b>4012D</b>	—	<b>100M</b>	—	<b>LF</b>
TYPE	DIMENSIONS		INDUCTANCE		LEAD FREE

### SHAPES AND DIMENSIONS

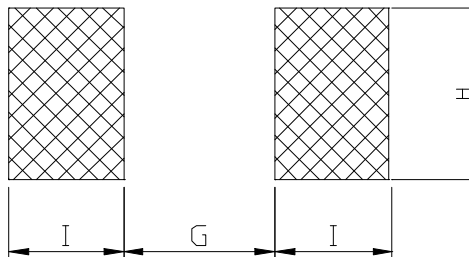
UNIT : mm



**A=4.1 Max. B=4.1 Max. D=1.2 Max.**

### RECOMMENDED PATTERNS

UNIT : mm



**G=1.0 H=4.3 I=1.6**



## SSB4012D SERIES

### Low Profile Shielded Power Inductors



RoHS Compliant

#### ELECTRICAL CHARACTERISTICS :

PART NUMBER	INDUCTANCE ( $\mu$ H)	DCR ( $\Omega$ ) Max.(Typ.)	Isat (A) ( Max. )	Irms (A) ( Max. )	Stamp
SSB4012D-1R0N-LF	1.0 $\pm$ 30%	50.4m(42m)	2.30	1.90	3A
SSB4012D-1R5N-LF	1.5 $\pm$ 30%	68.4m(57m)	1.90	1.70	3C
SSB4012D-2R2N-LF	2.2 $\pm$ 30%	81.6m(68m)	1.50	1.55	3E
SSB4012D-3R3N-LF	3.3 $\pm$ 30%	0.120(0.10)	1.30	1.40	3G
SSB4012D-4R7M-LF	4.7 $\pm$ 20%	0.156(0.13)	1.10	1.25	3I
SSB4012D-6R8M-LF	6.8 $\pm$ 20%	0.216(0.18)	0.95	1.05	3K
SSB4012D-100M-LF	10 $\pm$ 20%	0.336(0.28)	0.75	0.80	3M
SSB4012D-150M-LF	15 $\pm$ 20%	0.468(0.39)	0.65	0.70	3O
SSB4012D-220M-LF	22 $\pm$ 20%	0.636(0.53)	0.55	0.60	3Q
SSB4012D-330M-LF	33 $\pm$ 20%	1.020(0.85)	0.45	0.40	3S
SSB4012D-470M-LF	47 $\pm$ 20%	1.368(1.14)	0.38	0.35	3U

- Inductance tested at 100 kHz, 0.1 Vrms, 0 Adc using an Agilent/HP 4284B LCR meter or equivalent.
- Isat : DC current at which the inductance drops 30% (typ) from its value without current.
- IrmS: The actual current when temperature of coil becomes  $\Delta$ 40°C . ( Ta=+25°C )  
 Operating temperature range -40°C to +125°C , Electrical specifications at 25°C.