



SRS125R SERIES ~ Shielded SMD Power Inductors

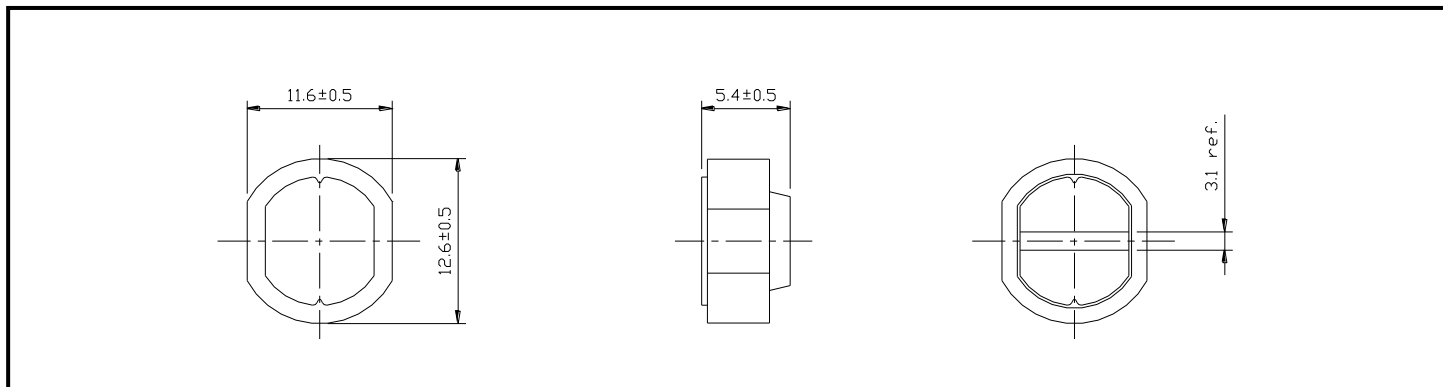


PART NUMBERING SYSTEM

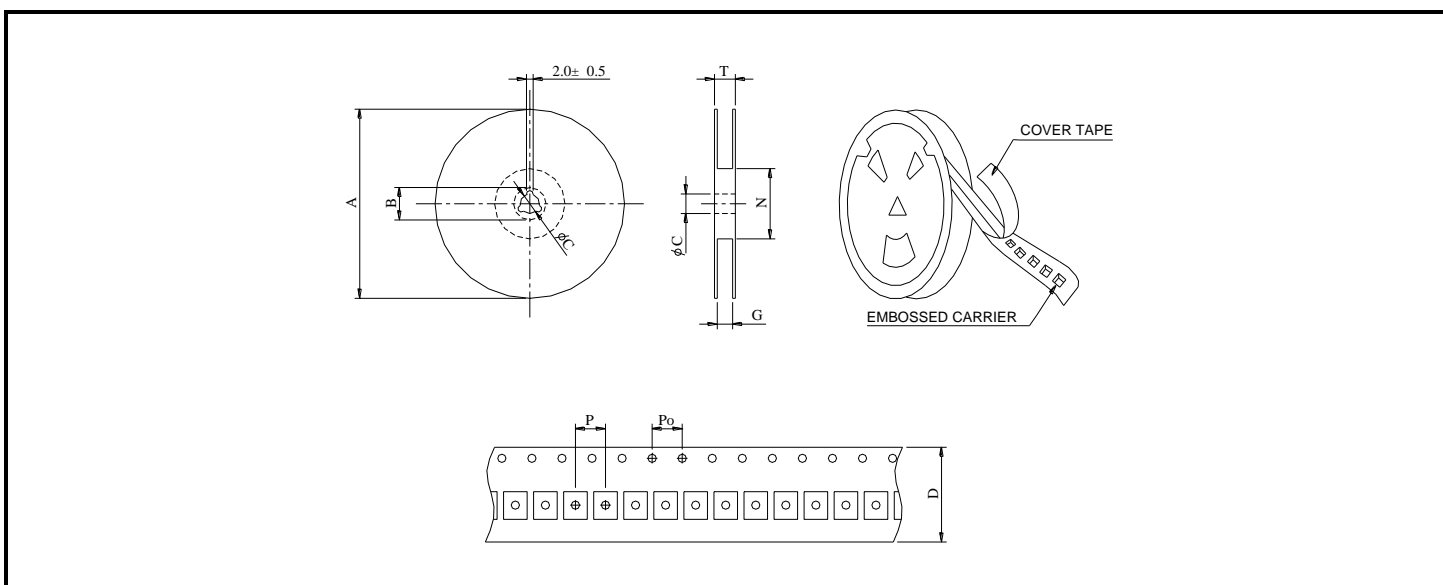
SRS	125R	—	681M	—	LF
TYPE	DIMENSIONS		INDUCTANCE		LEAD FREE

SHAPES AND DIMENSIONS

UNIT : mm



PACKAGING SPECIFICATION



SERIES	STAYLE	Q'TY (PCS)	DIMENSIONS (m/m)								
			A	B±0.8	C±0.5	D	G ⁺⁰	N ⁰	P	Po	T
SRS125R	13-24	400	330	21	13	24	26	50	12	4	30.4



SRS125R SERIES ~ Shielded SMD Power Inductors



SPECIFICATION TABLE

PART NUMBER	INDUCTANCE (μ H)	DCR (Ω) (Max.)	IDC (A) (Max.)	TEST FREQ. (f)
SRS125R-100M-LF	10 \pm 20%	0.05	2.65	2.52MHz
SRS125R-120M-LF	12 \pm 20%	0.05	2.50	2.52MHz
SRS125R-150M-LF	15 \pm 20%	0.06	2.45	2.52MHz
SRS125R-180M-LF	18 \pm 20%	0.06	2.40	2.52MHz
SRS125R-220M-LF	22 \pm 20%	0.07	2.20	2.52MHz
SRS125R-270M-LF	27 \pm 20%	0.08	2.00	2.52MHz
SRS125R-330M-LF	33 \pm 20%	0.10	1.80	2.52MHz
SRS125R-390M-LF	39 \pm 20%	0.11	1.65	2.52MHz
SRS125R-470M-LF	47 \pm 20%	0.12	1.50	2.52MHz
SRS125R-560M-LF	56 \pm 20%	0.15	1.38	2.52MHz
SRS125R-680M-LF	68 \pm 20%	0.17	1.26	2.52MHz
SRS125R-820M-LF	82 \pm 20%	0.20	1.14	2.52MHz
SRS125R-101M-LF	100 \pm 20%	0.25	1.05	1KHz
SRS125R-121M-LF	120 \pm 20%	0.28	0.95	1KHz
SRS125R-151M-LF	150 \pm 20%	0.40	0.85	1KHz
SRS125R-181M-LF	180 \pm 20%	0.48	0.77	1KHz
SRS125R-221M-LF	220 \pm 20%	0.52	0.70	1KHz
SRS125R-271M-LF	270 \pm 20%	0.70	0.63	1KHz
SRS125R-331M-LF	330 \pm 20%	0.80	0.57	1KHz
SRS125R-391M-LF	390 \pm 20%	1.08	0.52	1KHz
SRS125R-471M-LF	470 \pm 20%	1.20	0.48	1KHz
SRS125R-561M-LF	560 \pm 20%	1.34	0.44	1KHz
SRS125R-681M-LF	680 \pm 20%	1.78	0.40	1KHz
SRS125R-821M-LF	820 \pm 20%	2.00	0.36	1KHz

- DC current at which the inductance drops 25% (typ) from its value without current.
- Operating temperature range -40 $^{\circ}$ C to +125 $^{\circ}$ C , Electrical specifications at 25 $^{\circ}$ C