

SRS105R SERIES ~ Shielded SMD Power Inductors

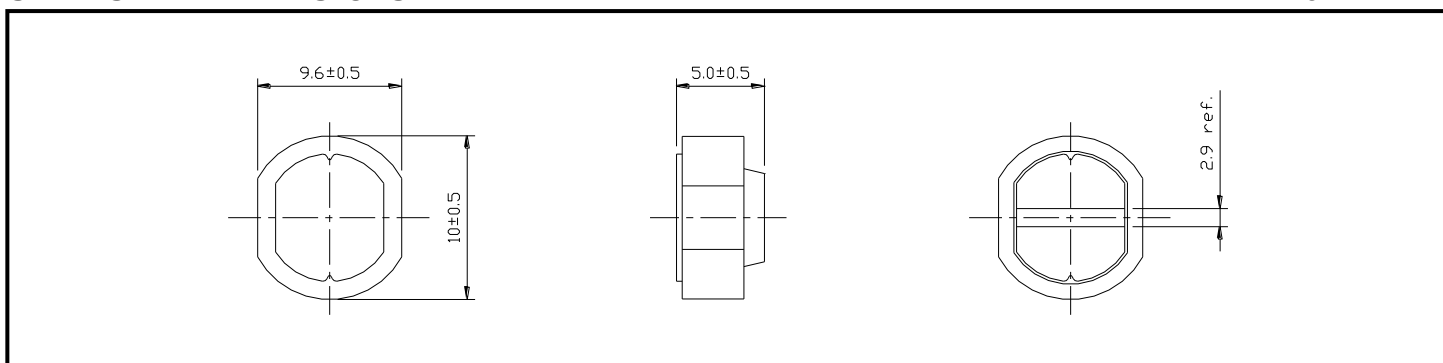


PART NUMBERING SYSTEM

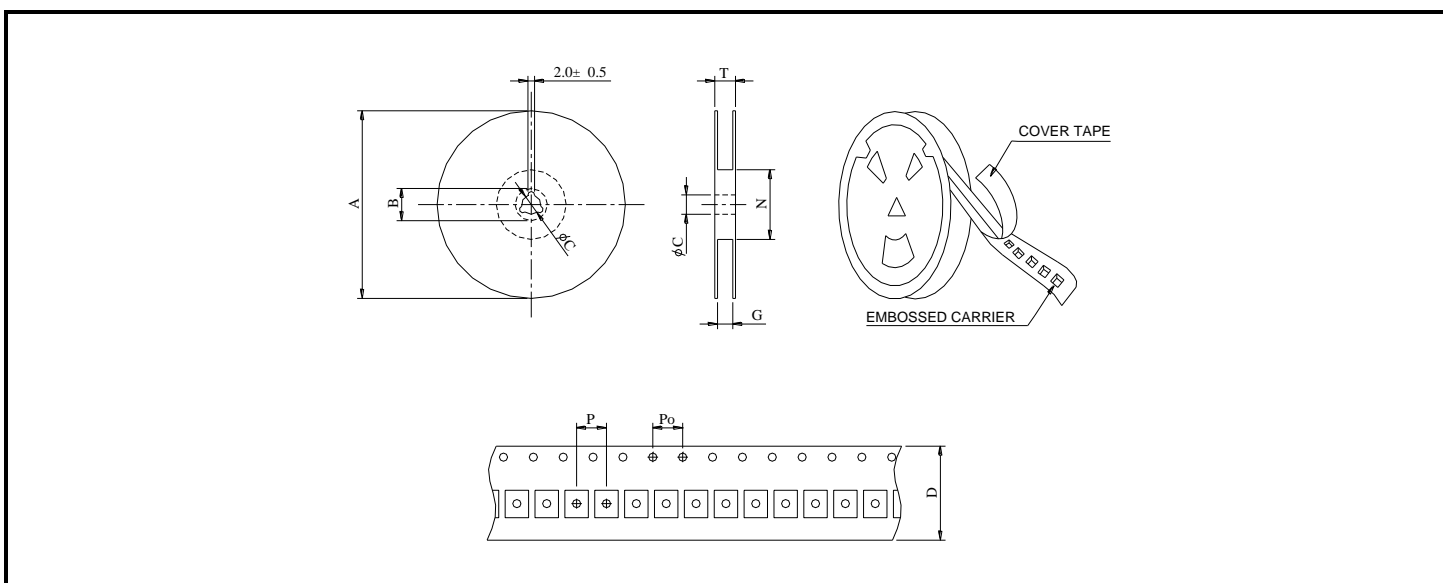
SRS	105R	—	330M	—	LF
TYPE	DIMENSIONS		INDUCTANCE		LEAD FREE

SHAPES AND DIMENSIONS

UNIT : mm



PACKAGING SPECIFICATION



SERIES	STAYLE	Q'TY (PCS)	DIMENSIONS (m/m)								
			A	B±0.8	C±0.5	D	G ⁺⁰	N ⁻⁰	P	Po	T
SRS105R	13-24	500	330	21	13	24	26	50	12	4	30.4

SRS105R SERIES ~ Shielded SMD Power Inductors



SPECIFICATION TABLE

PART NUMBER	INDUCTANCE (μ H)	DCR (Ω) (Max.)	IDC (A) (Max.)	TEST FREQ. (f)
SRS105R-100M-LF	10 \pm 20%	0.06	2.06	2.52MHz
SRS105R-120M-LF	12 \pm 20%	0.07	1.94	2.52MHz
SRS105R-150M-LF	15 \pm 20%	0.07	1.72	2.52MHz
SRS105R-180M-LF	18 \pm 20%	0.08	1.58	2.52MHz
SRS105R-220M-LF	22 \pm 20%	0.08	1.42	2.52MHz
SRS105R-270M-LF	27 \pm 20%	0.10	1.32	2.52MHz
SRS105R-330M-LF	33 \pm 20%	0.11	1.16	2.52MHz
SRS105R-390M-LF	39 \pm 20%	0.12	1.10	2.52MHz
SRS105R-470M-LF	47 \pm 20%	0.14	1.00	2.52MHz
SRS105R-560M-LF	56 \pm 20%	0.19	0.93	2.52MHz
SRS105R-680M-LF	68 \pm 20%	0.21	0.85	2.52MHz
SRS105R-820M-LF	82 \pm 20%	0.28	0.79	2.52MHz
SRS105R-101M-LF	100 \pm 20%	0.34	0.72	1KHz
SRS105R-121M-LF	120 \pm 20%	0.37	0.63	1KHz
SRS105R-151M-LF	150 \pm 20%	0.51	0.55	1KHz
SRS105R-181M-LF	180 \pm 20%	0.57	0.50	1KHz
SRS105R-221M-LF	220 \pm 20%	0.78	0.47	1KHz
SRS105R-271M-LF	270 \pm 20%	0.87	0.41	1KHz
SRS105R-331M-LF	330 \pm 20%	1.20	0.37	1KHz
SRS105R-391M-LF	390 \pm 20%	1.34	0.35	1KHz
SRS105R-471M-LF	470 \pm 20%	1.50	0.33	1KHz

- DC current at which the inductance drops 25% (typ) from its value without current.
- Operating temperature range -40°C to +125°C .
- Electrical specifications at 25°C .