

SQH6012S SERIES ~ Low Profile SMD Power Inductors

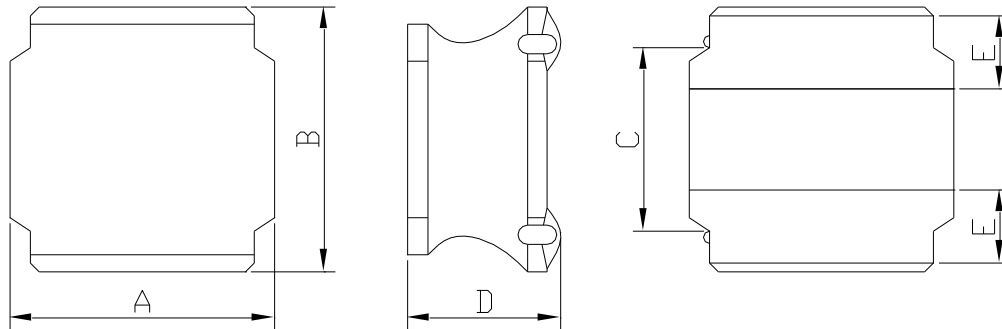


PART NUMBERING SYSTEM

SQH	6 0 1 2 S	—	6 R 8 M	—	LF
TYPE	DIMENSIONS		INDUCTANCE		LEAD FREE

SHAPES AND DIMENSIONS

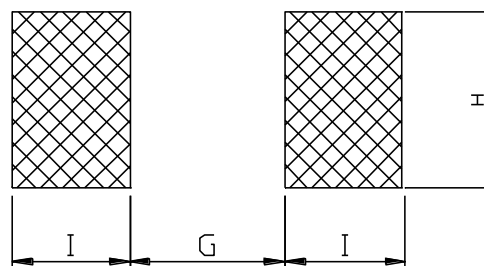
UNIT : mm



A=6.2 Max. B=6.2 Max. C=4.0 Ref. D=1.2 Max. E=1.35±0.2

RECOMMENDED PATTERNS

UNIT : mm



G= 3.10 H= 5.70 I = 1.60

FEATURES

- * Low profile and small inductors (6.2mm Max. square and 1.2mm Max. height)
- * Magnetically shielded construction and high current
- * Ideal for DC-DC converter choke coil for portable equipments (DVDs , DSC , Cellular , PDAs)
- * RoHS compliant option with lead free



SQH6012S SERIES ~ Low Profile SMD Power Inductors



SPECIFICATION TABLE

PART NUMBER	INDUCTANCE (μ H)	DCR (Ω) (Max.)	Isat (A) (Max.)	Irms (A) (Max.)	TEST FREQ. (f)
SQH6012S-2R5N-LF	2.5 \pm 30%	0.108	2.10	1.73	100KHz
SQH6012S-4R0N-LF	4.0 \pm 30%	0.126	1.80	1.57	100KHz
SQH6012S-5R3M-LF	5.3 \pm 20%	0.132	1.50	1.40	100KHz
SQH6012S-6R8M-LF	6.8 \pm 20%	0.198	1.30	1.18	100KHz
SQH6012S-100M-LF	10 \pm 20%	0.282	1.00	1.00	100KHz
SQH6012S-150M-LF	15 \pm 20%	0.396	0.80	0.79	100KHz
SQH6012S-220M-LF	22 \pm 20%	0.636	0.76	0.63	100KHz
SQH6012S-330M-LF	33 \pm 20%	0.840	0.59	0.53	100KHz
SQH6012S-470M-LF	47 \pm 20%	1.260	0.52	0.46	100KHz
SQH6012S-680M-LF	68 \pm 20%	1.620	0.44	0.41	100KHz
SQH6012S-101M-LF	100 \pm 20%	2.616	0.35	0.32	100KHz

- Isat : DC current at which the inductance drops 30%(typ) from its value without current.
- Irms : The temperature rise current value is the DC current value having temperature increase up 40°C temperature rise from 25°C ambient.
- Operating temperature range -40°C to +105°C , Electrical specifications at 25°C .