



SQH5028S SERIES ~ Low Profile SMD Power Inductors

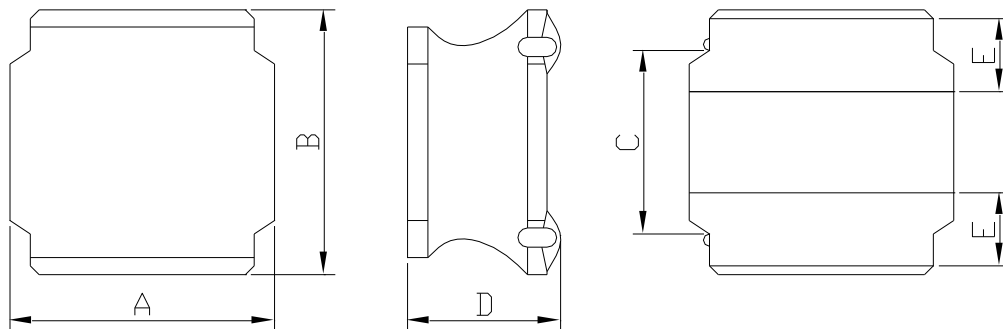


PART NUMBERING SYSTEM

SQH	5028S	—	150M	—	LF
TYPE	DIMENSIONS		INDUCTANCE		LEAD FREE

SHAPES AND DIMENSIONS

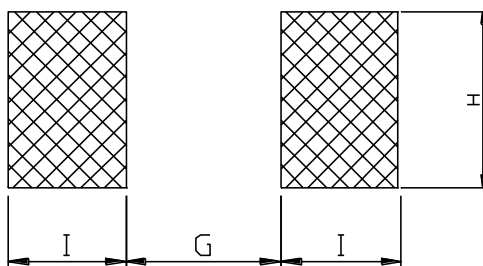
UNIT : mm



A=5.2 Max. B=5.2 Max. C=3.60±0.2 D=2.8 Max. E=1.25±0.2

RECOMMENDED PATTERNS

UNIT : mm



G= 3.00 H= 4.70 I = 1.50

FEATURES

- * Low profile and small inductors (5.2mm Max. square and 2.8mm Max. height)
- * Magnetically shielded construction and high current
- * Excellent solderability and high heat resistance .
- * Ideal for DC-DC converter choke coil for portable equipments (DVDs , DSC , Cellular , PDAs)
- * RoHS compliant option with lead free

SQH5028S SERIES ~ Low Profile SMD Power Inductors



SPECIFICATION TABLE

PART NUMBER	INDUCTANCE (μ H)	DCR (m Ω) (Max.)	Isat (A) (Max.)	TEST FREQ. (f)
SQH5028S-2R2N-LF	2.2 \pm 30%	42	5.00	100KHz
SQH5028S-3R3N-LF	3.3 \pm 30%	72	4.50	100KHz
SQH5028S-4R7N-LF	4.7 \pm 30%	77	4.20	100KHz
SQH5028S-5R6N-LF	5.6 \pm 30%	102	3.80	100KHz
SQH5028S-6R8N-LF	6.8 \pm 30%	120	3.50	100KHz
SQH5028S-100M-LF	10 \pm 20%	163	3.00	100KHz
SQH5028S-150M-LF	15 \pm 20%	300	2.30	100KHz
SQH5028S-220M-LF	22 \pm 20%	400	1.90	100KHz
SQH5028S-470M-LF	47 \pm 20%	660	1.35	100KHz
SQH5028S-680M-LF	68 \pm 20%	897	1.10	100KHz
SQH5028S-101M-LF	100 \pm 20%	1300	0.80	100KHz
SQH5028S-151M-LF	150 \pm 20%	2314	0.70	100KHz
SQH5028S-221M-LF	220 \pm 20%	3250	0.60	100KHz
SQH5028S-331M-LF	330 \pm 20%	5122	0.50	100KHz
SQH5028S-471M-LF	470 \pm 20%	7800	0.40	100KHz

- Isat : DC current at which the inductance drops 30%(typ) from its value without current.
- Operating temperature range -40 $^{\circ}$ C to +105 $^{\circ}$ C
- Electrical specifications at 25 $^{\circ}$ C .