

# SQH2512S SERIES ~ Low Profile SMD Power Inductors

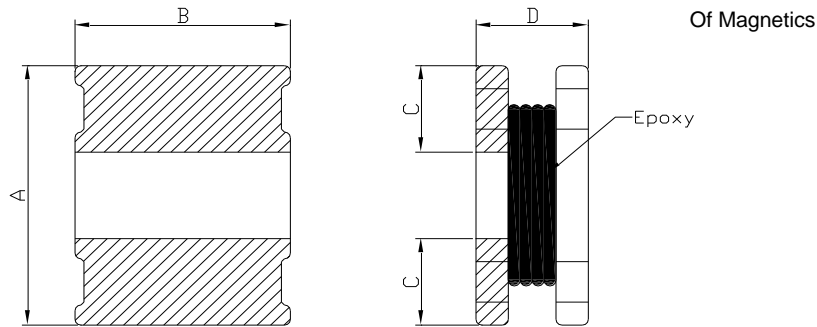


## PART NUMBERING SYSTEM

<b>SQH</b>	<b>2512S</b>	—	<b>4R7M</b>	—	<b>LF</b>
TYPE	DIMENSIONS		INDUCTANCE		LEAD FREE

## SHAPES AND DIMENSIONS

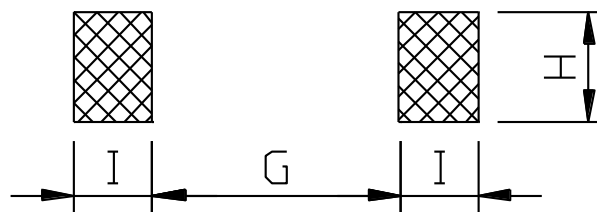
UNIT : mm



A=2.7 Max. B=2.3 Max. D=1.2 Max

## RECOMMENDED PATTERNS

UNIT : mm



G=0.9 Ref. H=2.0 Ref. I=0.8 Ref.

## FEATURES

1. Very small power inductor - only 1.2 mm high, 2.5 mm square.
2. Handles current up to 2.75 Asat, 2.15 Arms
3. Inductance range from 0.47uH to 10uH
4. RoHS-compliant – 260°C compatible



## SQH2512S SERIES ~ Low Profile SMD Power Inductors



### SPECIFICATION TABLE

PART NUMBER	INDUCTANCE ( $\mu$ H)	DCR (m $\Omega$ ) (Max.)	DCR (m $\Omega$ ) (Max.)	Isat (mA)	Irms (mA)	Test Freq.
SQH2512S-R47N-LF	0.47 $\pm$ 30%	56	47	2.75	2.15	100KHz/1V
SQH2512S-1R0N-LF	1.0 $\pm$ 30%	87	73	2.20	1.70	100KHz/1V
SQH2512S-1R5N-LF	1.5 $\pm$ 30%	126	105	1.80	1.45	100KHz/1V
SQH2512S-2R2M-LF	2.2 $\pm$ 20%	154	129	1.55	1.30	100KHz/1V
SQH2512S-3R3M-LF	3.3 $\pm$ 20%	272	227	1.25	0.98	100KHz/1V
SQH2512S-4R7M-LF	4.7 $\pm$ 20%	405	338	1.05	0.81	100KHz/1V
SQH2512S-6R8M-LF	6.8 $\pm$ 20%	612	510	0.85	0.65	100KHz/1V
SQH2512S-100M-LF	10 $\pm$ 20%	756	630	0.73	0.59	100KHz/1V

- Inductance is measured in HP-4285A Precision LCR Meter.
- Isat: DC current at which the inductance drops 30% (typ) from its value without current.
- Irms: Based on temperature rise ( $\Delta$ T : 40 $^{\circ}$ C TYP.)
- Operating temperature range -40 $^{\circ}$ C to +105 $^{\circ}$ C
- Electrical specifications at 25 $^{\circ}$ C.