

SQH2012S SERIES ~ Low Profile SMD Power Inductors

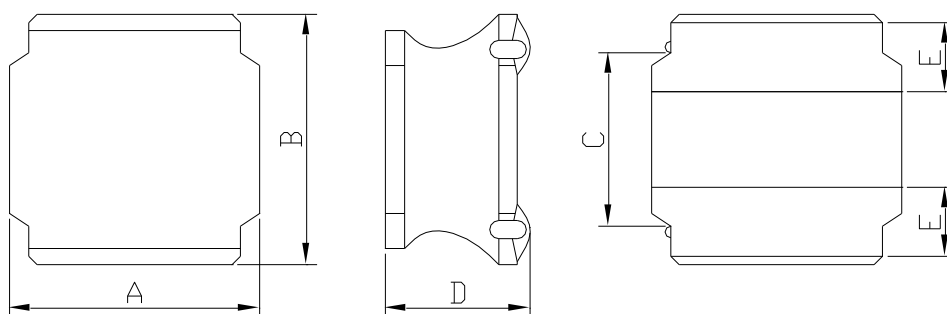


PART NUMBERING SYSTEM

SQH	2012S	—	4R7M	—	LF
TYPE	DIMENSIONS		INDUCTANCE		LEAD FREE

SHAPES AND DIMENSIONS

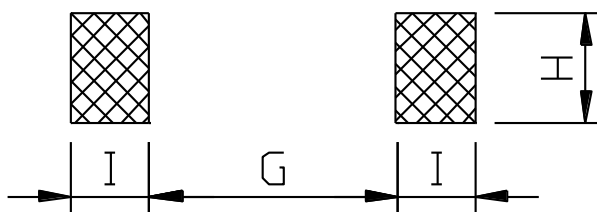
UNIT : mm



A=2.1 Max. B=2.1 Max. C=0.6 Typ. D=1.2 Max

RECOMMENDED PATTERNS

UNIT : mm



G=0.7 Ref. H=2.0 Ref. I=0.65 Ref.

FEATURES

1. Very small power inductor - only 1.20 mm high, 2.0 mm square.
2. Handles current up to 1.9 Asat, 1.70 Arms
3. Inductance range from 1.0uH to 4.7uH
4. RoHS-compliant – 260°C compatible

SQH2012S SERIES ~ Low Profile SMD Power Inductors



SPECIFICATION TABLE

PART NUMBER	INDUCTANCE (μ H)	DCR (Ω) (Max.)	Isat (mA) (Max.)	Irms (mA) (Max.)	Test Freq. (Hz)
SQH2012S-1R0M-LF	1.0 \pm 20%	0.084	1.90	1.70	100KHz/1V
SQH2012S-1R5M-LF	1.5 \pm 20%	0.108	1.65	1.50	100KHz/1V
SQH2012S-2R2M-LF	2.2 \pm 20%	0.128	1.35	1.37	100KHz/1V
SQH2012S-3R3M-LF	3.3 \pm 20%	0.228	1.00	1.02	100KHz/1V
SQH2012S-4R7M-LF	4.7 \pm 20%	0.289	0.90	0.91	100KHz/1V

- Inductance using an Agilent/HP 4284A LCR meter or equivalent.
- Isat: DC current at which the inductance drops 30% (max) from its value without current.
- Irms: Current that causes specified temperature rise from 25°C ambient.
- Operating temperature range -40°C to +125°C ,
- Electrical specifications at 25°C .